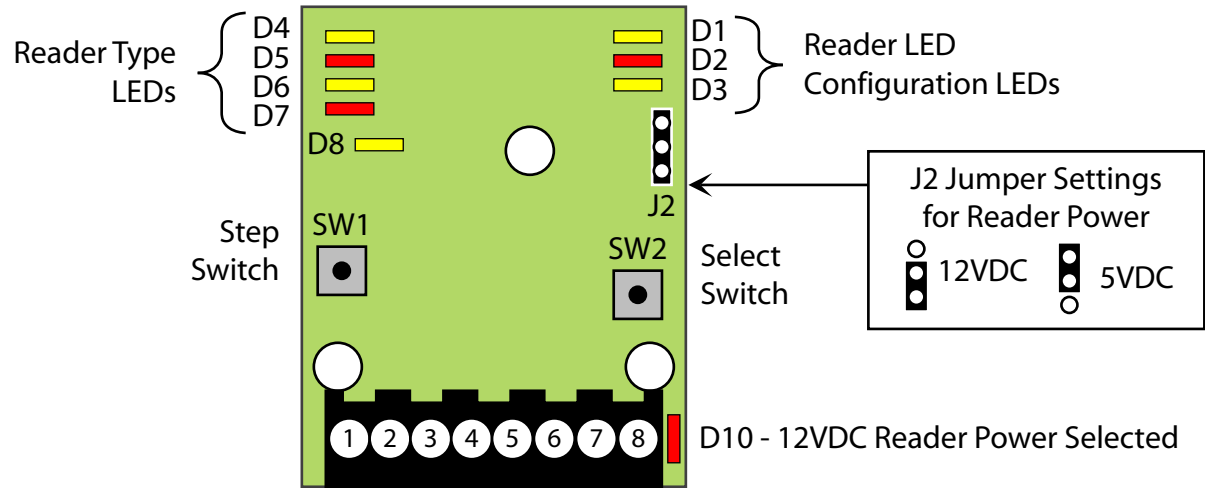


## NXT-RM Installation Drawing



Pin#	Keri-MS	Wiegand Single-line LED	Wiegand Dual-line LED
1	antenna	n/a	n/a
2	beeper	beeper	beeper
3	red LED	LED	red LED
4	green LED	n/a	green LED
5	+12vDC	+12vDC	+12vDC
6	GND	GND	GND
7	n/a	Data0	Data0
8	n/a	Data1	Data1

P/N: 02501-002  
Rev. G