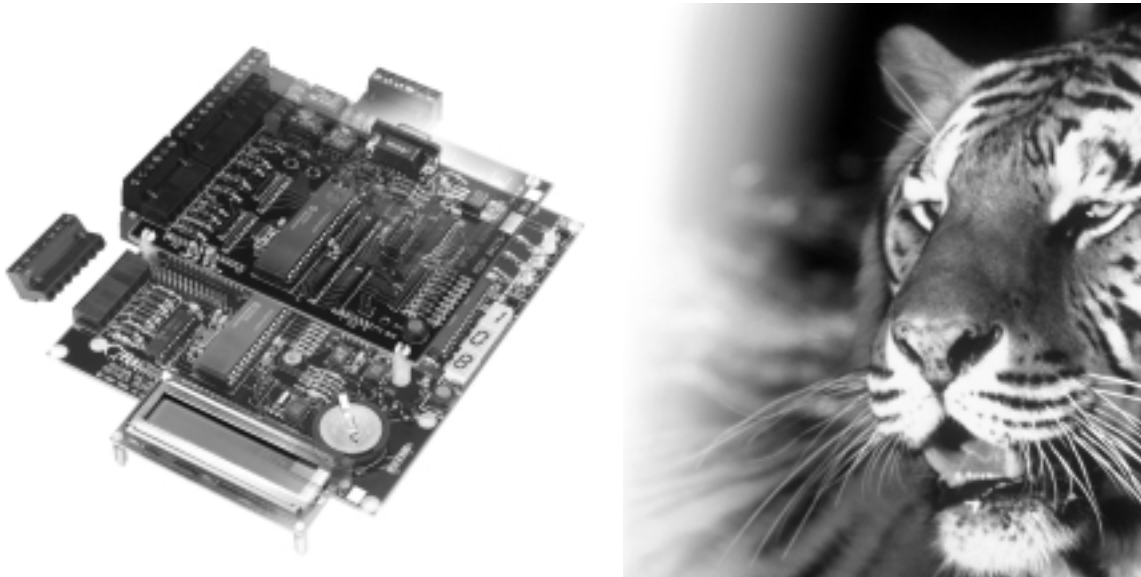


PXL-250 Tiger Controller and SB-293 Satellite Expansion Board



- **Sophisticated Hardware Platform that Cuts the Cost of Access Control in Half**
- **100% Distributed Intelligence, Expandable 1 or 2 Doors at a Time**
- **Great Installer Features Including Self-Configuring Hardware with No Jumper Settings, Digital Address Selection and Readout without DIP Switches, Quick Disconnect Terminals, and on-Board Diagnostics**
- **RS-485 Networking, 256 door/11,000 User Capacity (expandable to 65,000)**
- **RS-232 Port for PC or Modem Connection, 5 Year Memory Retention**

Keri's **PXL-250 Tiger Controller** hardware platform provides sophisticated access control solutions for up to 256 doors at a single site and thousands of doors spread over a number of remote sites. The unique architecture and latest multiprocessor, RISC-based design techniques allow Keri to offer the system hardware at half the cost of other manufacturers. It also contains many features that simplify and significantly reduce the cost of installation. The system is managed by Keri's **Doors 32™** for use with Windows™ software.

The **PXL-250 Tiger Controller** itself contains all the input/output functionality necessary to manage a single door (Lock Relay, Door Sense, Request-to-Exit, and two reader inputs) as well as provide an alarm output. Each controller has an RS-485 port for connection to other PXL-250's (up to 128 per network) and an RS-232 serial port for direct or modem connection to a PC which communicates with one PXL-250 on the network. The PXL-250's two reader inputs can be configured for either Keri's acclaimed **MS Series Proximity Readers** or any Wiegand-compatible device (model PXL-250P for MS Readers, model PXL-250W for Wiegand-compatible readers).

The **SB-293 Satellite Expansion Board** plugs into the PXL-250 to provide additional functionality at a cost far less than that of adding another controller. The SB-293 gives each PXL-250 an additional 8 general purpose inputs and 4 general purpose outputs. Two of the inputs and outputs can be configured to manage a second door, making the PXL-250 an incredibly cost effective two door controller while still providing an additional 6 inputs and 2 outputs.



1530 Old Oakland Road, Suite 100
San Jose, CA 95112 USA
(800) 260-5265 • (408) 451-2520 • Fax (408) 441-0309
e-mail: sales@kerisys.com web: www.kerisys.com

DATA SHEET

**PXL-250 Tiger Controller and
SB-293 Satellite Expansion Board**

PXL-250 Tiger Controller and SB-293 Expansion Board

SPECIFICATIONS:

Size (Enclosure)

9.70" H x 8.20" W x 2.50" D
(24.65 cm x 20.85 cm x 6.35 cm)

Size (PC Board)

PXL-250
6.75" H x 6.00" W x 1.75" D
(17.15 cm x 15.25 cm x 4.45 cm)

PXL-250 with SB-293

6.75" H x 6.00" W x 2"D
(17.15 cm x 15.25 cm x 5.08 cm)

Power Requirements (worst case)

+12 VDC @ 1A (PXL-250)
670 mA Max for a Controller in non-Alarm State with All Options Installed

Inputs

PXL-250

Door Sense
Request to Exit
Auxiliary/External Time Zone
Card Reader (2), A & B

SB-293

General Purpose (8), 2 are configurable as request to exit and door sense for 2nd door

Outputs

PXL-250

Form C Lock Relay (3 Amp)
Form C Alarm Relay (3 Amp)
RS-232 Serial Port (DB-9M)
Output for Optional LCD Display

SB-293

Form C Relay, 3A (4), 2 are configurable as lock and alarm outputs tied to B reader port

Buffer Capacity

11,000 Cardholders (65K Optional)
3,600 Events

Temperature/Humidity

32°F to 149°F
(0°C to 65°C)
0-90% Non Condensing

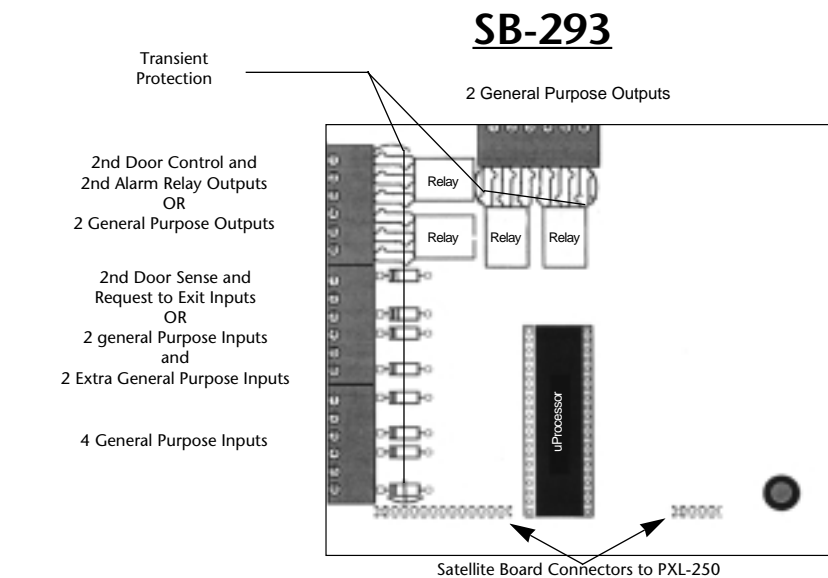
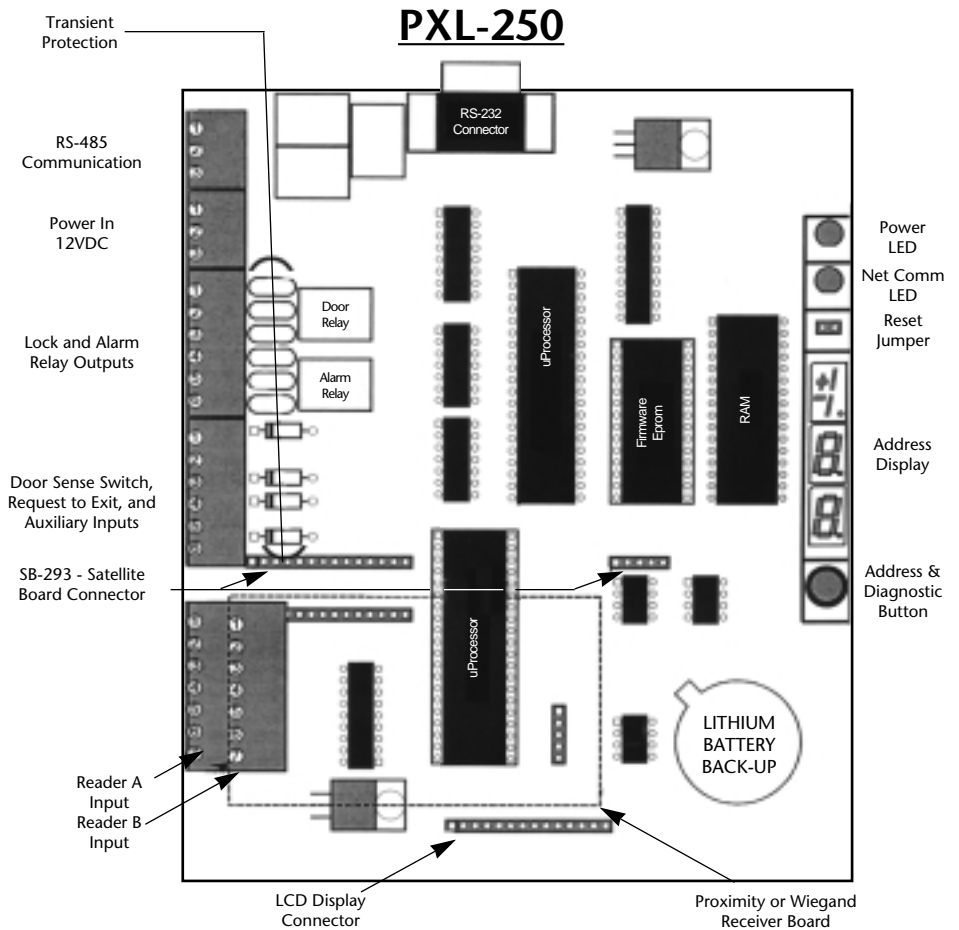
Communication

Between Controllers: RS-485, 9600 Baud
PC to Master: RS-232

Lithium Battery

5 Year Memory Retention

Specifications subject to change without notice.



Presented By:



(800) 260-5265 • (408) 451-2520 • Fax (408) 441-0309