



EP2500 Ethernet-enabled Controller

- Network ready
- Decentralizes system intelligence
- Two-door interface with auxiliary I/O
- Intelligent oversight, auxiliary monitoring
- Scalable to 64 doors
- Fault-tolerant communication capability
- Multi-card format support
- Multi-reader technology support
- AES 128-bit data encryption
- HSPD-12/FIPS201 compliant
- UL 294 certified



The EP2500 is an intelligent controller platform with native network support. This powerful and high-performance platform provides an Ethernet ready, fault-tolerant panel capable of efficiently managing a large network of reader and I/O modules in any system design.

Based on the intelligent next-generation Mercury Access Foundation, the platform uses an RS-485 or Ethernet link to connect to Keri's *Eclipse.Net* software to provide access control, alarm management and scheduled operations all in one package. The EP2500 is capable of elaborate processes and procedures without host intervention. Once configured, the EP2500 functions independently of the host, and is capable of controlling access, managing alarms, interfacing with an array of Mercury hardware devices, all while providing the decision-making oversight that each system configuration requires. Providing centralized biometric template management, the EP2500 supports the range of reader technologies, including Wiegand, magnetic stripe and biometric RS-485 connectivity.

As an intelligent system cornerstone capable of enterprise-wide performance, the EP2500 provides the greatest system capacity within Mercury's family of controller platforms. The EP2500 is best deployed in systems where high-end capabilities and network-ready capacity are required. For high device counts, large numbers of readers and a high volume of system activity, the EP2500 is the controller of choice. The result is the flexibility, versatility, and reliability you need for system success. Combined with Keri's *Eclipse.Net* software, the EP2500 provides customers the ultimate in power and flexibility.



2305 Bering Drive • San Jose, California • 95131
408-435-8400 • Toll Free: 800-260-5265 • Fax: 408-577-1792

e-mail: sales@kerisys.com • web: www.kerisys.com

EP2500

Ethernet-enabled Controller

Technical Specifications

Primary Power:

12-24 Vdc ±10%, 300 mA maximum

Serial Ports:

Primary 10/100 Ethernet

Port 1: RS-232, 2-wire
RS-485, Modem

Ethernet adapter

Port 2: RS-485, 2-wire
Port 3: RS-485, 2-wire

Inputs:

2 dedicated: tamper and power monitor

Dimensions:

5.0" W x 6.0" L x 1.0" H (127mm x 152mm x 254mm)

Temperature:

0 to 70°C operational, -55 to 85°C storage

Humidity: 0-95% RHNC

Standards:

UL294 Recognized, CE Compliant, ROHS,
FCC Part 15 Class A, NIST Certified Encryption

Technical Features

Connectivity

Primary Port: 10/100 Ethernet, IP Server,
IP Client, DHCP Client, HTTP,
TLS, X.509, SNMP

Back up channel: RS-232, Dial-up

Access Control

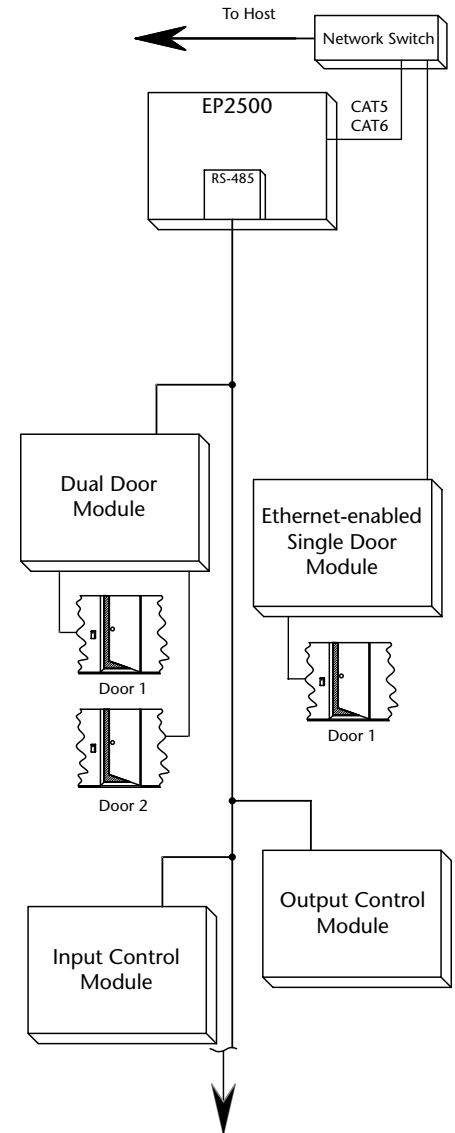
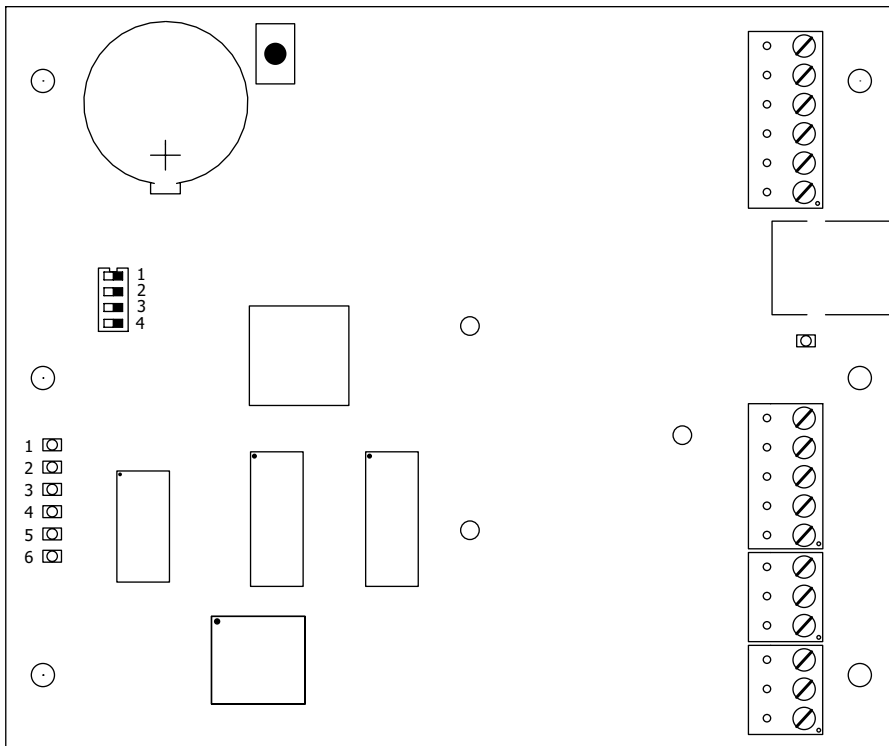
- 600,000 Cardholders
- 50,000 Transaction buffer
- If/Then Macro capability

Card Formats:

8 active card formats per EP2500
Entire card number reported on invalid read
19 digit (64-bit) UserId and 15 digit PIN numbers max.
PIV-II, CAC, TWIC card compatible
32 Access Levels per cardholder
Activation/Deactivation Dates
Anti-passback support
Nested area, hard, soft, or timed forgiveness

Alarm Management

Normally open/Normally closed, unsupervised,
supervised. Standard or custom end-of-line
resistances.



Presented By:

