

Calisto | Turnstiles

DATA SHEET, Page 1 of 2



Our solutions create new opportunities

- The Calisto Turnstile has smooth edges to ensure passenger safety
- Anti-Panic Function can be controlled remotely and enables free passage in emergencies by fully opening the turnstile
- Anti-Panic Function allows the turnstile to be integrated into an access control security system, and can be automatically activated simultaneously with alarm notification
- Installation of optional devices is available:
 - Keri NXT/MS Series Card Readers
 - 125 kHz RFID or 13.56 MHz MIFARE® Card Readers
- Customizable indicator lights (variable form and color))
- Turnstile casing design provides easy key-lock access for technical maintenance



The **Calisto** turnstile is a reliable device with an ergonomic casing. Its trendy design blends into any interior, and the casing is constructed from select quality materials, including luxury options. The turnstile is intended for use as part of an access control system that manages access to supervised territories such as: office and administrative buildings, manufacturing enterprises, tourist zones, stadiums, amusement sites, etc. It also serves to control access to subways and other types of transport platforms. Electric drive ensures smooth movement of the tripod to increase the passage speed and convenience. Passage direction is indicated with running lights.



2305 Bering Drive • San Jose, California 95131
408-435-8400 • Toll Free: 800-260-5265 • Fax: 408-577-1792

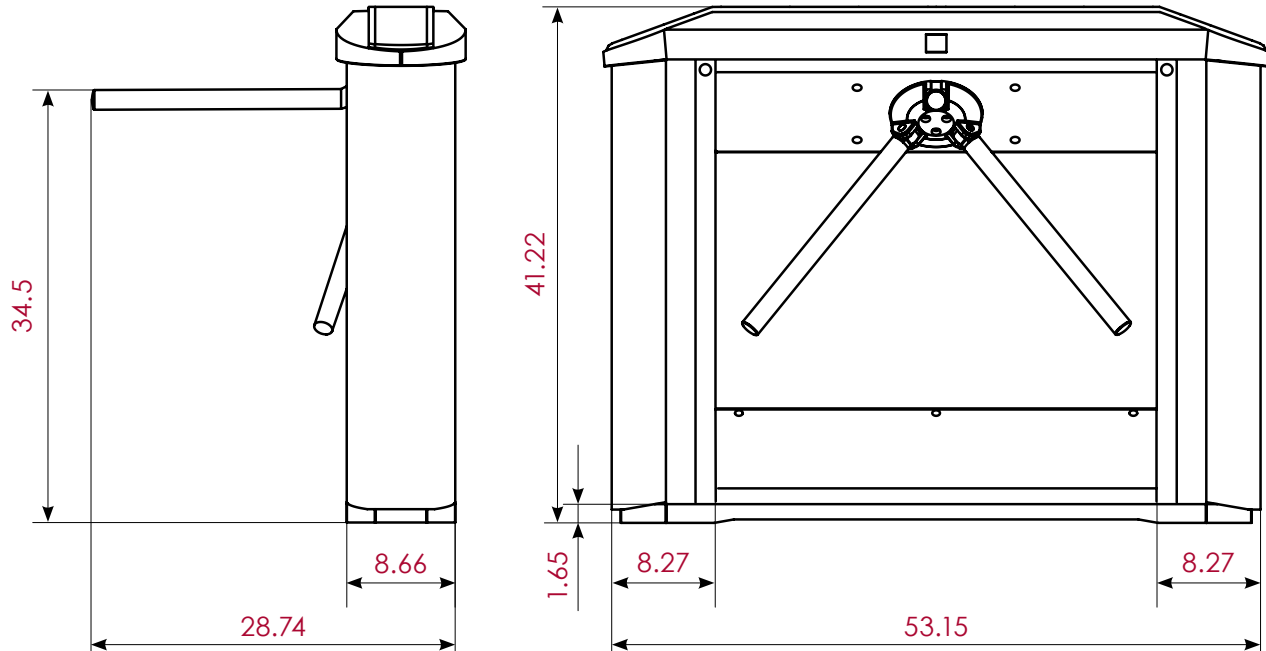
email: sales@kerisys.com • web: www.kerisys.com

Calisto | Turnstiles

DATA SHEET, Page 2 of 2



Our solutions create new opportunities



Specifications:*

Sizes:

Case height
41.22 in
Case length
53.15 in
Case width
10.31 in
Tripod bars
19.69 in
Passage width
21.65-23.62 in

Weight:

154.32 lb

Material:

Casing
polished stainless steel
with painted steel elements
Tripod bars
aluminium
polished stainless steel

Gear

Electric

Connection Method:

Dry contact

Capacity:

20 persons/min. and more

Sensor Type:

Mech. type

Power Requirements:

24 ± 10% @ 25 W

Indicators:

Red Green Amber LED, Beeper

IP Rating:

IP 42

Operating Temperature:

+32...+113°F (0...+45°C)

ORDERING INFORMATION:

Model Number	Description
KT-CAL	Calisto Turnstile

* Specifications are subject to change without notice.



Presented By:

email: sales@kerisys.com • web: www.kerisys.com

PN: 02330-001 Rev.A