

# Castle | Turnstiles

DATA SHEET, Page 1 of 2



Our solutions create new opportunities

- The Castle Turnstile hardware is designed to provide quick and easy access to the mechanism for service maintenance
- Anti-Panic Function can be controlled remotely and enables free passage in emergencies, fully opening the turnstile
- Anti-Panic Function allows the turnstile to be integrated into an access security system, and can be automatically activated simultaneously with alarm notification
- Turnstile can be equipped with different types of indicators (such as card status and pass count) located in a stand or in a casing cover
- Installation of optional devices is available:
  - Keri NXT/MS Series Card Readers
  - 125 kHz RFID or 13.56 MHz MIFARE® Card Readers
  - Smart Token Reader
  - Coin Acceptor
  - Barcode Ticket Reader
- Model can be equipped with an electric drive for smooth and quiet passage, or an electro-mechanical drive that allows outdoor usage in all weather conditions



The **Castle** turnstile is a perfect combination of simplicity and reliability. This extremely functional model maintains high-quality hardware and a reasonable price. The design enables mounting of various types of readers onto the turnstile, simplifying its integration into automated systems. **Castle** is ideal for high-traffic locations, such as subways and other transport platforms. This turnstile is designed especially for outdoor installation, and has performed faultlessly within extreme temperatures and high-humidity conditions.



2305 Bering Drive • San Jose, California 95131  
408-435-8400 • Toll Free: 800-260-5265 • Fax: 408-577-1792

email: [sales@kerisys.com](mailto:sales@kerisys.com) • web: [www.kerisys.com](http://www.kerisys.com)

# Castle | Turnstiles

DATA SHEET, Page 2 of 2



Our solutions create new opportunities

## Specifications\*

### Sizes:

- Case height 39.96 in
- Case length 45.87 in
- Case width 10.24 in
- Tripod bars 19.69 in
- Passage width 21.65-23.62 in

### Weight:

90.39 lb

### Material:

- Casing
  - polished stainless steel
  - brushed stainless steel
  - painting steel
- Tripod bars
  - aluminium
  - polished stainless steel

### Gear

- Electric
- Electromechanical

### Connection Method:

Dry contact

### Capacity (depending on the gear type):

- Electromechanical
  - 25 persons/min. and more
- Electric
  - 30 persons/min. and more

### Sensor Type:

Mech. type

### Power Requirements:

24 ± 10% @ max 30 W

### Indicators:

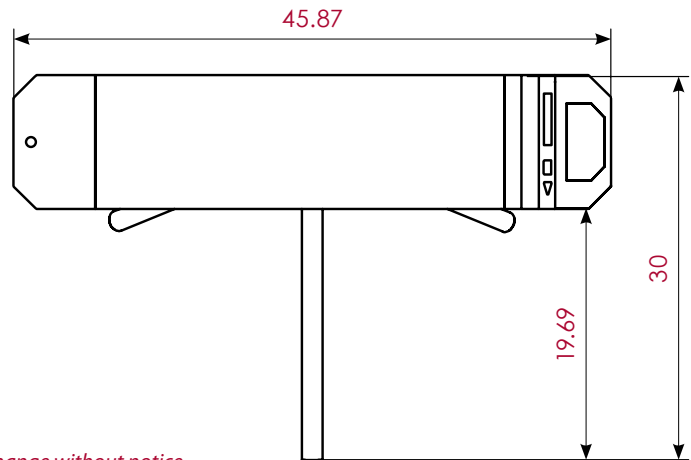
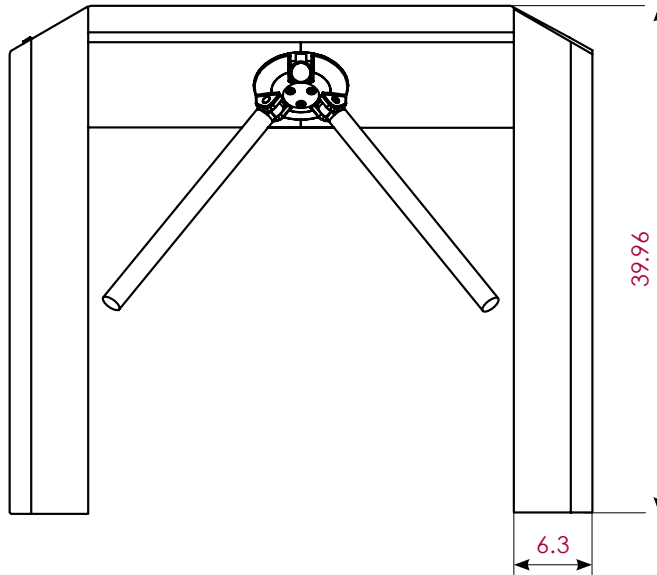
Red Green Amber LED, Beeper

### IP Rating:

IP 53

### Operating Temperature:

-22...+113°F (-30...+45°C)



\* Specifications are subject to change without notice.

### ORDERING INFORMATION:

Model Number	Description
KT-CAS	Castle Turnstile



Presented By:

email: [sales@kerisys.com](mailto:sales@kerisys.com) • web: [www.kerisys.com](http://www.kerisys.com)

PN: 02331-001 Rev.A