

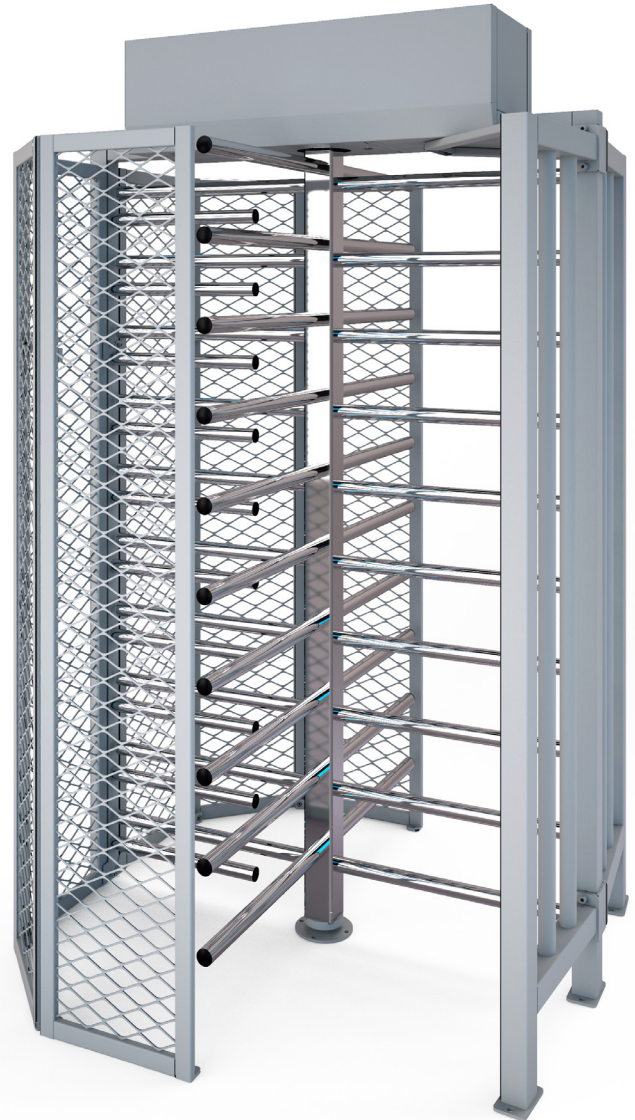
Defender | Turnstiles

DATA SHEET, Page 1 of 2



Our solutions create new opportunities

- The Defender is made with a durable, steel casing, ensuring faultless performance, even in severe weather and mechanical conditions
- Can be installed independently or as a part of a Keri Access Control System
- Several control modes are available: Free, Controlled, and Blocked
- Turnstile can provide access control for entry and exit
- LED indication
- Simple design makes this turnstile long-lasting and low maintenance



The **Defender** turnstile uses the most reliable and robust hardware available for access control systems. This turnstile provides a high level of protection from unauthorized access — It is the full height of a man, preventing someone from jumping over, and the X-type rotor prevents ability to go under or over the turnstile. It is equipped with enhanced electromechanical components and is intended for indoor and outdoor installations, such as stadiums, manufacturers, bus and rail terminals, airports, etc..



2305 Bering Drive • San Jose, California 95131
408-435-8400 • Toll Free: 800-260-5265 • Fax: 408-577-1792

email: sales@kerisys.com • web: www.kerisys.com

Defender | Turnstiles

DATA SHEET, Page 2 of 2



Our solutions create new opportunities

Specifications:*

Sizes:

Case height
91.30 in
Case depth
47.24 in
Case width
56.54 in
Passage width
24.41 in

Weight:

440,92 lb

Material:

Casing
polished stainless steel
brushed stainless steel
painted black metal
Rotor
painted black metal
polished stainless steel

Gear

electromechanical enhanced

Connection Method:

Dry contact

Capacity:

15 persons/min. and more

Torque of the flap mechanism:

20 nm \pm 10%

Sensor Type:

Mech. type

Power Requirements:

24 V @ 25 W

Indicators:

Red Green Amber LED, Beeper

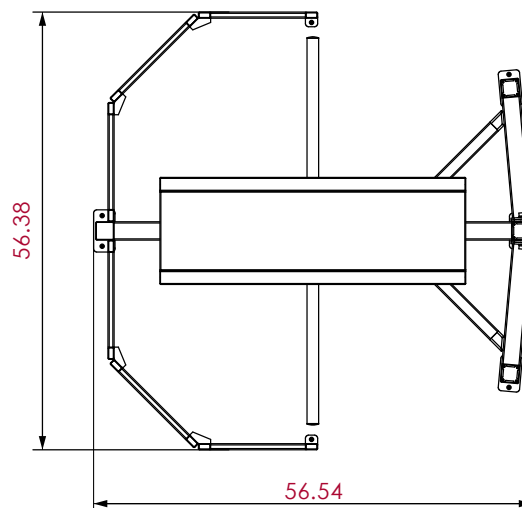
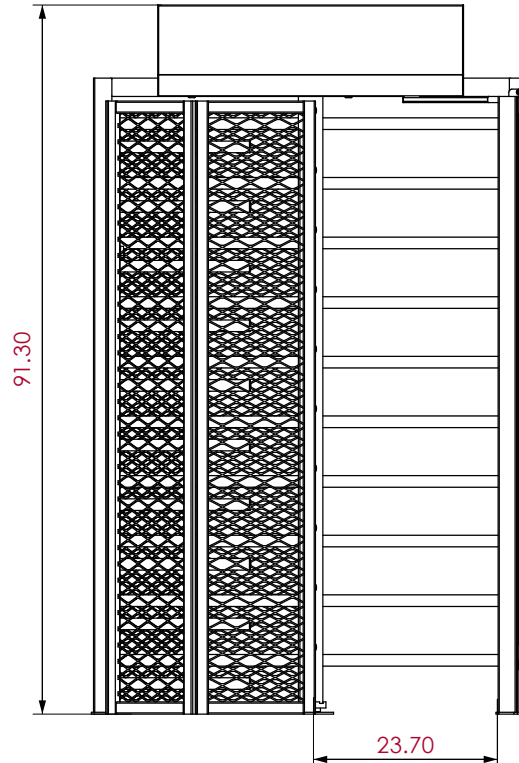
IP Rating:

IP 53

Operating Temperature:

-4...122°F (-20...+50°C)

* Specifications are subject to change without notice.



ORDERING INFORMATION:

Model Number	Description
KT-DEF	Defender Turnstile



Presented By:

email: sales@kerisys.com • web: www.kerisys.com

PN: 02332-001 Rev.A