

# Expert | Turnstiles

DATA SHEET, Page 1 of 2



Our solutions create new opportunities

- This model can be equipped with an electronically-driven mechanism for smooth and noiseless performance, or with an electromechanical mechanism for outdoor application use in all weather conditions
- Installation of optional devices is available:
  - Keri NXT/MS Series Card Readers
  - 125 kHz RFID or 13.56 MHz MIFARE® Card Readers
  - A Passage Counter Indicator in the turnstile post or in the casing cover
- Turnstile has a simple design that is long-lasting and durable
- The Anti-Panic Function can be controlled remotely, and allows for free passage in emergencies by fully opening the turnstile
- The Anti-Panic Function allows integration of the turnstile into an access security system, and can be automatically activated simultaneously with an alarm notification
- Hardware is managed by an external control panel, or by an external Keri Access Controller
- The turnstile supports Modbus RTU Protocol, to ensure simple integration into the existing customer's access control system, or Keri can assist in developing a new Keri Access Control System



Reliability and compact design are key features of the **Expert** turnstile. This model is an efficient and effective solution for access control systems installed in office and industrial premises. The turnstile is compact, reliable and easy to maintain and operate, with an energy-saving design. The **Expert** can be integrated into any access control system, and provides faultless operation, even in conditions of high-passenger flow, working in both directions.



2305 Bering Drive • San Jose, California 95131  
408-435-8400 • Toll Free: 800-260-5265 • Fax: 408-577-1792

email: [sales@kerisys.com](mailto:sales@kerisys.com) • web: [www.kerisys.com](http://www.kerisys.com)

# Expert | Turnstiles

DATA SHEET, Page 2 of 2



Our solutions create new opportunities

## Specifications:\*

### Sizes:

Case height  
41.14 in  
Case length  
11.18 in  
Case width  
12.01 in  
Passage width  
21.65-23.62 in

### Weight:

63.93 lb.

### Material:

Casing  
polished stainless steel  
brushed stainless steel  
painted steel.  
Tripod bars  
aluminium  
polished stainless steel

### Gear

Electric  
Electromechanical

### Connection Method:

Dry contact

### Capacity:

20 persons/min. and more

### Sensor Type:

Mech type

### Power Requirements:

24 ± 3 V @ max 30 W

### Indicators:

Red Green Amber LED, Beeper

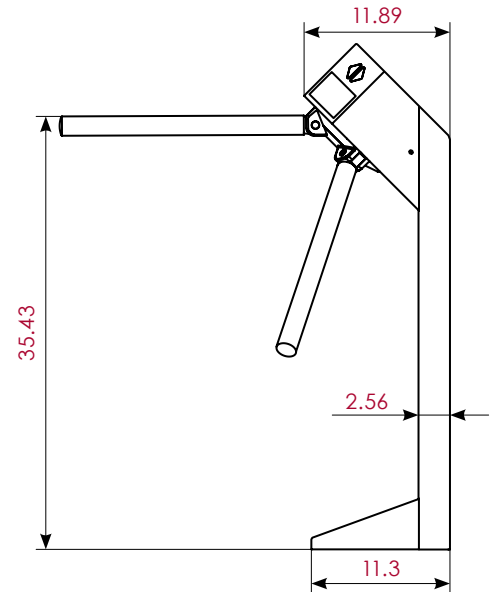
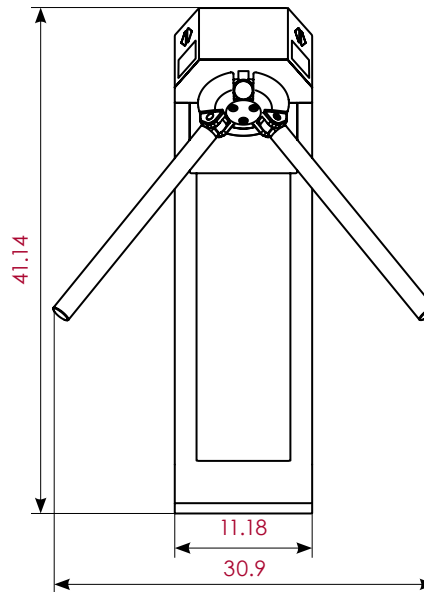
### IP Rating:

IP 42

### Operating Temperature:

+32...+113°F (0...+45°C)

\* Specifications are subject to change without notice.



## ORDERING INFORMATION:

Model Number	Description
KT-EXP	Expert Turnstile



Presented By:

email: [sales@kerisys.com](mailto:sales@kerisys.com) • web: [www.kerisys.com](http://www.kerisys.com)

PN: 02334-001 Rev.A