



# BioSync™ Biometric Fingerprint Readers

DATA SHEET

- High quality fingerprint readers in small, sleek, and attractive packages
- Available in fingerprint-only, fingerprint + card, and fingerprint + PIN
- Card reader models available with Keri NXT + HID 125 KHz Proximity or MIFARE/DESFire capabilities
- Stores up to 9500 fingerprint templates
- Multi-color LED bar to indicate access status
- Compatible with Keri's NXT Controllers and PXL-500W Tiger Controller
- Industry standard Wiegand output for compatibility with most 3rd party access control systems



**KBF-1FP**  
BioSync  
Fingerprint-only



**KBF-2PR**  
BioSync Fingerprint + Proximity



**KBF-3KP**  
BioSync Fingerprint + PIN

**KBF-2SC**  
Fingerprint + Mifare

Keri's **BioSync™ Readers** provide reliable fingerprint reading in attractive and unobtrusive packages. Readers are available in fingerprint-only, fingerprint + card, and fingerprint + keypad versions. Typically used in higher security applications, they can be used either for primary user identification (fingerprint-only) or for secondary verification based on initial use of a card or PIN.

**BioSync Readers** are compatible with Keri's NXT controllers with an NXT-WI Wiegand Interface, PXL-500W Tiger Controller, and 3rd party controllers that accept Wiegand-type readers. The readers contain an internal beeper and an LED bar to indicate fingerprint accepted and access granted/denied status for user feedback. Keypad and Card models may be used outdoors with appropriate covers. Fingerprint template sharing between readers is done using RS-485 networking, with an option for TCP/IP. Keri's BioManager software is used for enrollment and template management.



[www.kerisys.com](http://www.kerisys.com)

302 Enzo Drive • San Jose, California 95138 • email: [sales@kerisys.com](mailto:sales@kerisys.com)

Phone: 408-435-8400 • Toll Free: 800-260-5265 • Fax: 408-577-1792

# BioSync™ Biometric Fingerprint Readers

## DATA SHEET - Page 2 of 2

### Specifications:

#### Sizes:

2.0" x 3.6" x 1"  
(51mm x 92mm x 25mm)  
BioSync FP  
3.9" x 3.7" x 1.2"  
(100mm x 95mm x 30mm)  
BioSync KP, BioSync PR and  
BioSync SC

#### Weight:

BioSync FP: 12oz (.332 kg)  
BioSync KP: 1.1lb (.491 kg)  
BioSync PR: 1.1lb (.491 kg)  
BioSync SC: 1.1lb (.491 kg)

#### Material:

BioSync FP:  
Molded Aluminum  
BioSync KP:  
Molded Aluminum  
BioSync PR and BioSync SC:  
ABS Plastic

#### Color:

Silver

#### Output:

Wiegand (8-128 bits, 26 default),  
3' (1m) cable supplied

#### Connection Method:

TCP/IP to first unit,  
RS-485 to subsequent units  
(TCP/IP optional)

#### Programming:

Keri BioManager Software

#### Capacity:

9500 fingerprints

#### Sensor Type:

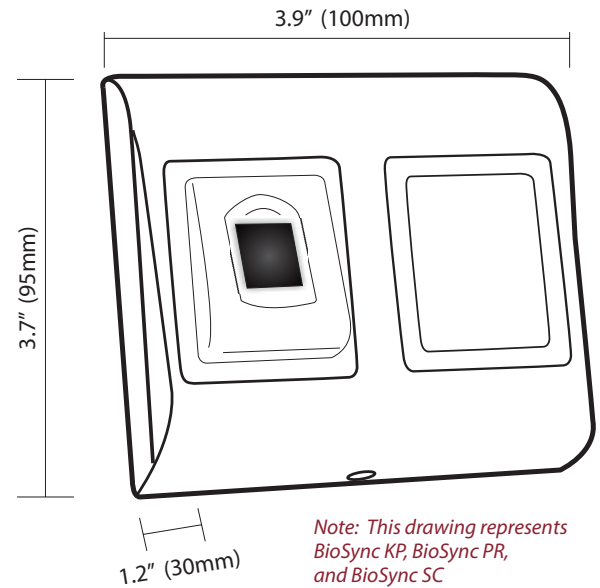
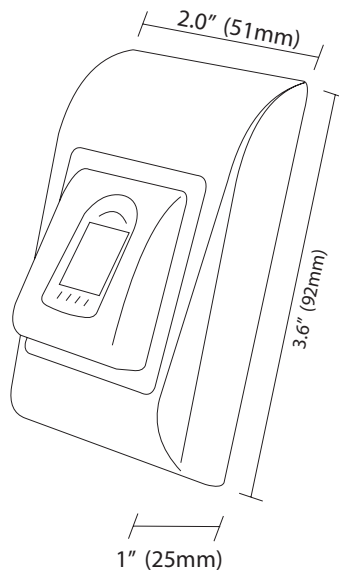
Capacitive

#### 1:1000 Read Time:

970 msec

#### Supported Card Technologies:

Keri NXT and HID 125 KHz,  
MIFARE Classic/Plus/Ultralight, DESFire  
EM or AWID available upon request



#### Power Requirements:

KBF-1FP: +9-14VDC @ 100mA  
KBF-2PR: +9-14VDC @ 120mA  
KBF-2SC: +9-14VDC @ 200mA  
KBF-3KP: +9-14VDC @ 130mA

#### Indicators:

Red Green Amber LED, Beeper

#### IP Rating:

BioSyncFP: IP54 (indoor only)  
All other units: IP-65  
(outdoor use with required covers)

#### Operating Temperature:

KBF-1FP:  
32°F to 104°F  
(0°C to + 40°C)

#### Others:

5°F to 122°F  
(-15°C to + 50°C)

*Specifications are subject to change  
without notice.*

#### ORDERING INFORMATION:

Model #	Description
KBF-1FP	Fingerprint-only Reader, indoor
KBF-2PR	Fingerprint + Proximity Reader, (Keri NXT + HID 125 KHz)
KBF-2SC	Fingerprint + MIFARE Reader (Classic/Plus, Ultralight, DESFire)
KBF-3KP	Fingerprint Reader + Keypad

#### RELATED PRODUCTS:

Model #	Description
KBF-CVR	Cover for KBF-2 and KBF-3 Readers
KBF-SGP	North American Single Gang Mounting Plate
KBF-DGP	North American Double Gang Mounting Plate
KBF-CNV	RS-485 to TCP/IP Converter
KBF-ENR	Fingerprint Enrollment Station
DNET-BIO	BioManager Software for fingerprint management



Presented By: