

Proximity Elevator Control Panel

Keri has modified its PXL-500P Tiger Controller and SB-593 Satellite Board to tailor a system for Proximity elevator control applications. The LC-502 Elevator Control Panel is made up of an LC-500P Tiger Elevator Controller Board and an SB-500 Elevator Satellite Board, together in a standard PXL-500 enclosure. The LC-508 Elevator Control Panel combines four LC-500 panels with four SB-500 boards in a rugged enclosure.

The LC-502P provides two floor increments of elevator control at an economical price. Users can mount a single MS Series Proximity Reader inside an elevator cab and connect it to up to 12 LC-502Ps to control floor access for up to 24 floors. Used in conjunction with *Doors* software, this combination can be a very cost-effective elevator control solution.

The LC-508P provides eight floors of elevator control in a small, integrated package. As with the LC-502P, a single MS Series Proximity Reader is mounted inside an elevator cab and then is connected to the LC-508P, providing controlled access for up to eight floors in a single enclosure.

Any combination of LC-502Ps and LC-508Ps may be combined to control greater than eight floors.



Check with local authorities when installing Elevator Control panels. Your elevator control application must meet all local and national safety codes. The Main or Lobby Floor cannot have access control applied – all people must be able to exit the elevator at all times on at least one common, ground-level access floor.

1.0 Important Considerations

To ensure proper operation, the following considerations apply when using *Doors* software for elevator control.

- Up to 24 floors can be controlled using any combination of LC-502Ps and LC-508Ps.
- One reader in the elevator cab controls access for all floors. This reader is attached to all antenna inputs at all controllers in the elevator control system. This wiring scheme results in the one reader being responsible for access requests for all floors. Since the reader's signal is being shared between multiple controller antenna inputs the reader's read range is reduced, possibly up to 25%.
- User card presentation to the reader is critical. To ensure that all controllers have the opportunity to respond to a presented card, the card must be presented to the reader for a greater period of time – up to 2 seconds depending upon the length of the cable run and the number of controllers attached to the network. This allows all antenna inputs on all controllers the time necessary to respond to the card. If a card is not presented correctly, controllers that have not recognized the card will not allow access to the floors they control.
- The reader's LED and beeper are used to indicate correct card presentation only, and does not indicate if all controllers have recognized the card or if access has been granted or denied (as done by a standard PXL-500 Tiger Controller).

Proximity Elevator Control Panel

2.0 Hardware and Software Operating Requirements

All standard hardware and software requirements for *Doors* software apply (refer to the *Doors Users Guide* – P/N 01914-100). To support elevator control, the following additional software and firmware requirements must be met.

- The *Doors* software must be at revision 4.10 or greater.
- The controller firmware must be at revision 8.4.12 or greater.

3.0 Specifications

3.1 Unit Dimensions

- LC-500P Controller PCB
 - 7.00 inches high by 6.00 inches wide by 1.25 inches deep, including wiring connectors
(17.78 cm by 15.24 cm by 3.18 cm)
- LC-500P Controller PCB with an LCD-1 Alpha/Numeric Display
 - 7.00 inches high by 6.00 inches wide by 1.5 inches deep, including wiring connectors
(17.78 cm by 15.24 cm by 3.81 cm)
- LC-500P Controller PCB with an SB-500 Satellite Board (with or without an LCD-1 Alpha/Numeric Display)
 - 7.00 inches high by 6.00 inches wide by 2.00 inches deep, including wiring connectors
(17.78 cm by 15.24 cm by 5.08 cm)
- LC-502P Enclosure
 - 13.00 inches high by 9.00 inches wide by 4.00 inches deep
(33.02 cm by 22.86 cm by 10.16 cm)
- LC-508P Enclosure
 - 18.50 inches high by 15.25 inches wide by 4.00 inches deep
(47.00 cm by 38.75 cm by 10.16 cm)

3.2 Operating Temperature and Humidity Range

- 0°F to 140°F (-18°C to 60°C)
- 0% to 90% Relative Humidity, non-condensing

3.3 Power Requirements

- 12 VDC @ 750 mA for the LC-502P panel
- 12 VDC @ 3 A for the LC-508P panel

Proximity Elevator Control Panel

3.4 Current Draw

- 500 mA maximum current draw for a Controller with all options installed (SB-500, LCD-1, and Reader)
- 120 mA maximum for a LC-500P Controller
- 150 mA maximum for an SB-500 Satellite Board
- refer to Table 1 on page 3 for Reader current draw

Table 1: Current Draw by Reader Type

MS-3000	MS-4000	MS-5000
50 mA	50 mA	100 mA

3.5 Controller Memory Retention

- 5 year lithium battery backup to support controller RAM and real-time clock

3.6 Floor Control Relay Contact Rating

- 24 VDC @ 1 Amp



*When connecting to elevator control systems and the floor selection buttons, please verify the elevator system voltages. Most elevator systems operate on DC or AC voltages higher than the 24 VDC @ 1 Amp rating at which Keri Systems' elevator controllers are rated. **Each installation should use isolation relays.***

Keri Systems recommends establishing an interconnection point at which the access control system and elevator control system connect, and to which both the access control company and the elevator company have access. This assists in making the connections between the systems and in allowing for independent system troubleshooting.

- If the system voltages are different (or if you wish to fully protect the access control system from transient voltage spikes), **these connections should be made via isolation relays or relay control boards.**
- If the system voltages are the same and both systems are fully protected, or if the system connections are made between dry relay contacts, you may only need to use a terminal strip for these connections.

Please consult your local building codes for proper installation requirements and check with local permit departments to verify compliance. Elevator systems have **Life Safety** requirements and may also require a connection to a fire control system.

Proximity Elevator Control Panel

3.7 Cable Requirements

- RS-232 Serial Cable
 - four conductor (for direct connect) or five conductor (for modem connection), shielded, stranded AWG 24 wire (Belden 9534 or a heavier gauge)
 - 50 foot maximum length (per RS-232 industry specification – greater lengths are not recommended)
- RS-485 Network Cable
 - two conductor, shielded, twisted pair, stranded, AWG 24 wire (Belden 9501 or a larger gauge)
 - 16,000 foot total network length
 - refer to the Network Wiring Application Note (P/N 01824-002) for specific network wiring information
- Input Power
 - two conductor, stranded, AWG 18 wire (Belden 8461 or a heavier gauge)
 - 200 foot maximum length

NOTE: On long power cable runs, the cable resistance causes a drop in voltage at the end of the cable run. Be sure your power supply provides 12 VDC at the end of the cable run.

- Reader to Panel
 - six conductor, shielded, stranded AWG 24 wire (Belden 9536 or a heavier gauge)
- Output Connections
 - two conductor, stranded AWG 22 (Belden 9532 or a heavier gauge)

NOTE: The Floor Control Relay may require a heavier gauge of wire depending upon the current demands of the elevator panel and the length of the wiring run.

NOTE: If plenum cable is required, please reference the Belden equivalent to the cable listed above.

Proximity Elevator Control Panel

4.0 Controller Installation

Sections 4.1 and 4.2 are quick lists of things to do and to not do when installing LC-502P and LC-508P panels.

4.1 Do

- Plan ahead to meet power and telephone requirements for your system (1 phone line for the host computer and one for each master LC-500P controller in each network).
- Mount controllers in environmentally suitable areas – they require protection from weather and from temperature/humidity extremes.
- Mount the controller at least 3 feet away from the controller's power supply to prevent EMI radiated from the power supply from affecting the controller.
- Use isolation relays where needed.
- Use the enclosure as a mounting template to mark drilling holes for permanent mounting.
- Consider mounting requirements - central versus distributed.
 - Central mounting places all controllers in one location, running lengths of cables out to each door to support readers, inputs and outputs.
 - Distributed mounting places each controller near the door it supports running short lengths of cable out to each door, but running a long network communication cable.
- Note the locations of the knockouts in the enclosures and remove the appropriate knockout for the easiest cable routing into the controller.
- Route all controllers in a network in a single, continuous daisy-chain.
- Route cables in accessible areas for ease of maintenance.
- Connect all controllers to a quality earth ground.
- Add transient suppression across electric devices attached to a controller output.
- Verify the controller's supply voltage is 12 VDC – long power line runs cause a drop in voltage at the end of the run.
- Verify proper operation of the host computer's COM port.

Proximity Elevator Control Panel

4.2 Do Not

- Make modem phone line connections through PBX telephone switching systems - most modems are not compatible with PBX systems leading to disconnection problems with the modem.
- Locate a LC-500P controller near EMI sources - EMI sources can affect the performance of the controller.
- Locate a reader near EMI sources - EMI sources can affect the performance of the reader.
- Use non-approved switching power supplies, or high noise/high ripple current - they are EMI sources.
- Route network and reader cables beside power cables - transients on the power cables may be picked-up by network and reader cables.
- Stretch or over-tension cables.
- Route cables over sharp objects.
- Let the cables get tangled.
- Mix LC-500Ps with PXL-100s in the same network.
- Connect earth ground to the network cable shield - the LC-500P automatically connects earth ground to the shield at one point on the network to prevent ground loops.
- Use gender changer plugs when making RS-232 serial communication connections (unless you know it is a "straight-through" plug) - gender changers may have internal wiring changes that can disrupt communications.

Proximity Elevator Control Panel

5.0 Wiring Connections

Before performing any wiring or connection operations, ensure that controller power is **OFF**. Serious damage to sensitive components on the controller may occur if wiring changes are made while controller power is on.

- Refer to Figure 1 and Figure 2 on page 8 when reviewing the information throughout Section 5.2 beginning on page 10.
- Refer to Figure 4 on page 9 when reviewing the information throughout Section 5.3 beginning on page 15.

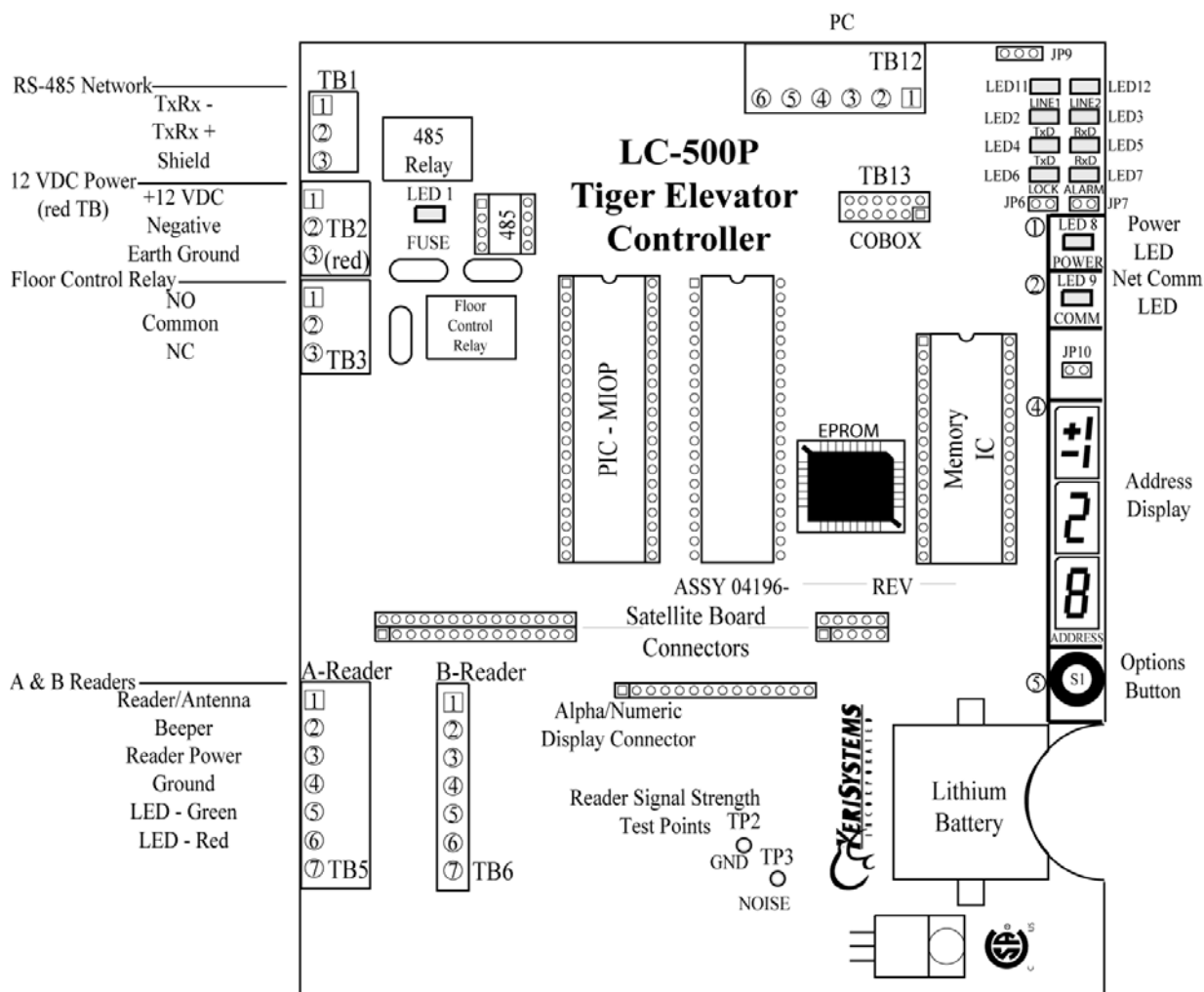


Figure 1: The LC-500P Elevator Controller

Proximity Elevator Control Panel

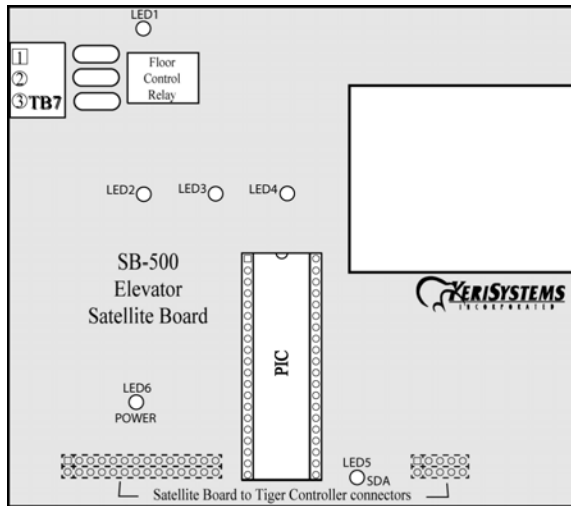


Figure 2: The SB-500 Satellite Board

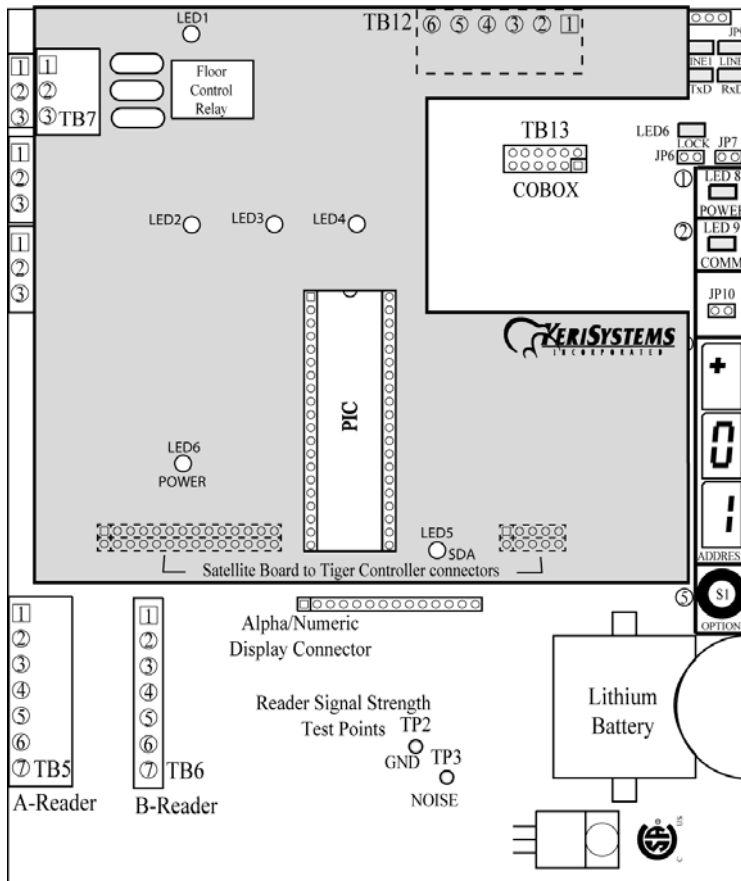


Figure 3: The LC-502 Elevator Control Panel

Proximity Elevator Control Panel

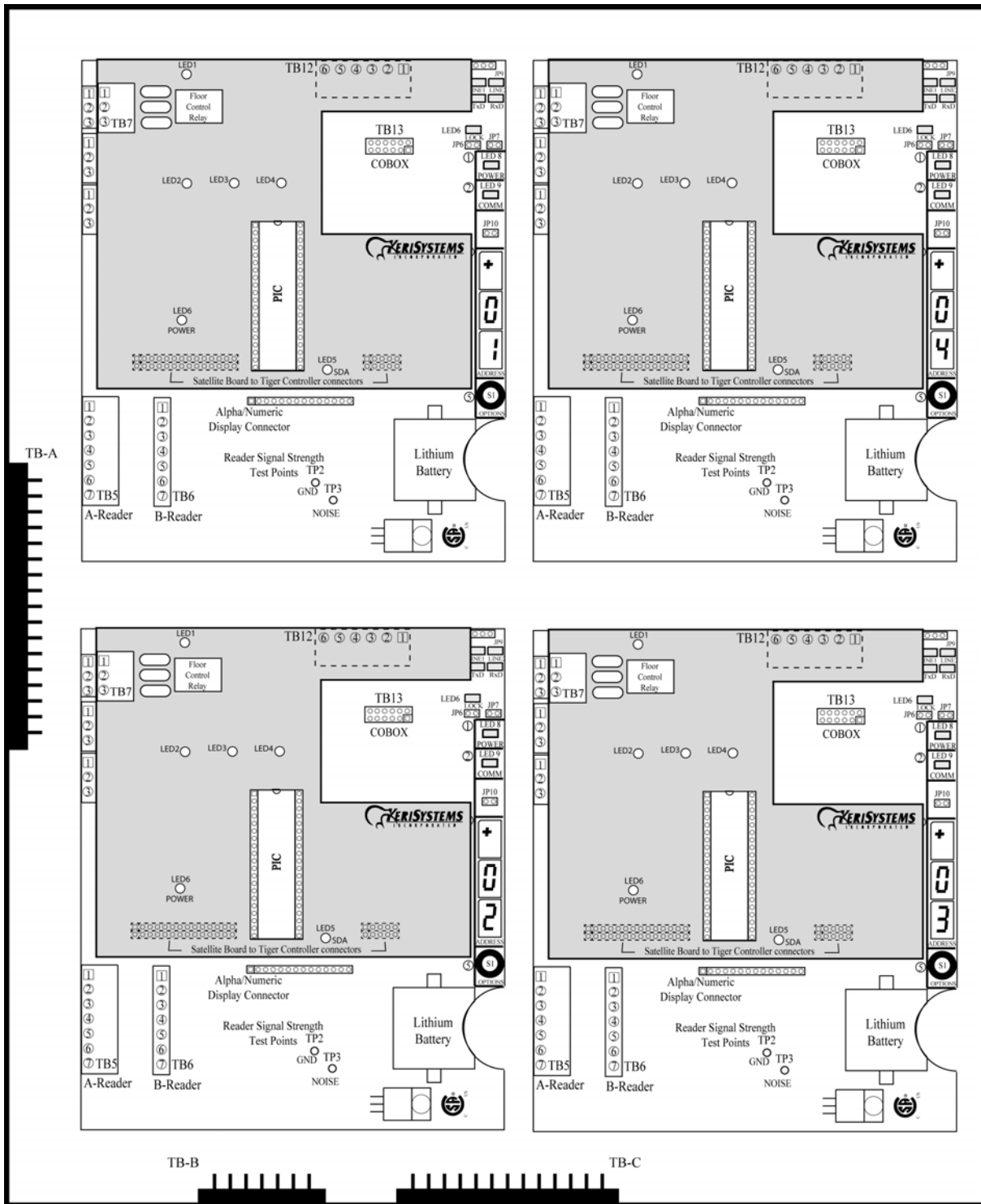


Figure 4: The LC-508P Elevator Control Panel

Proximity Elevator Control Panel

5.1 Connecting Wires - Removing Terminal Blocks

Follow the instructions in Figure 5 when connecting wires to the controller or when removing terminal blocks from the controller.

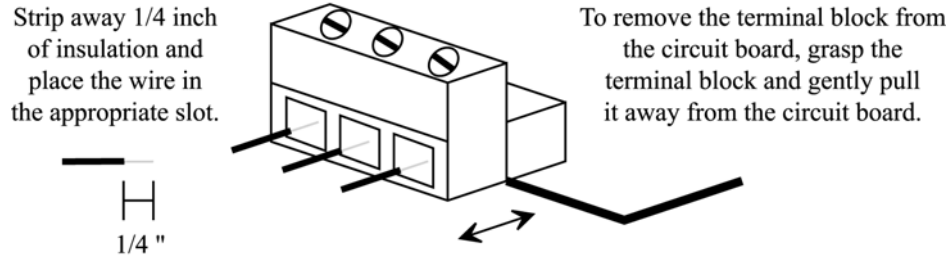


Figure 5: Connecting Wires and Removing Terminal Blocks

5.2 LC-502P Wiring Connections

The following connections are made to install the LC-502P Elevator Control panel (see Figure 3 on page 8).

- Floor Control Relay
- RS-485 Controller Network
- Reader Daisy-Chain
- Earth Ground and Power

5.2.1 Floor Control Relay

The Floor Control Relay is connected to the floor controls at the elevator panel. If a controller has an SB-500 Satellite Board attached to control two floors, connect the lower floor to the A-Floor Control Relay and connect the higher floor to the B-Floor Control Relay. Make the floor control relay connections per the information in Table 2 and Figure 6 on page 11.

Table 2: Floor Control Relay Connection

LC-500P TB-3 Pin SB-500 TB-7 Pin	Description
1	Normally-Open
2	Common
3	Normally-Closed

Proximity Elevator Control Panel

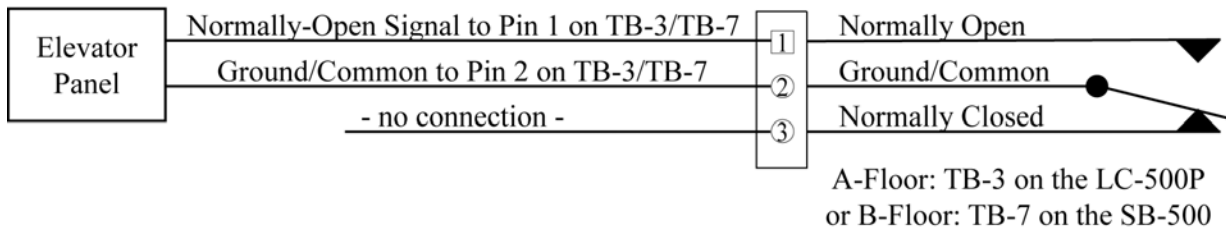


Figure 6: Floor Control Relay Connection

5.2.2 RS-485 Controller Network

All of the controllers in the elevator network communicate through an RS-485 serial communication network. Per the RS-485 industry specification, this network must be daisy-chained, with a total network cable length of no more than 16,000 feet. Make the RS-485 network connections per the information in Table 3 and Figure 7 on page 12.

NOTE: Connect shield ground at the master controller ONLY. The LC-500P controller automatically connects earth ground to the shield at one point on the network. This single connection minimizes the effects of ground loops that can affect controller performance.

Table 3: RS-485 Controller Network

TB-1 Pin	Description
1	Tx/Rx Negative
2	Tx/Rx Positive
3	Network Cable Shield Ground

Proximity Elevator Control Panel

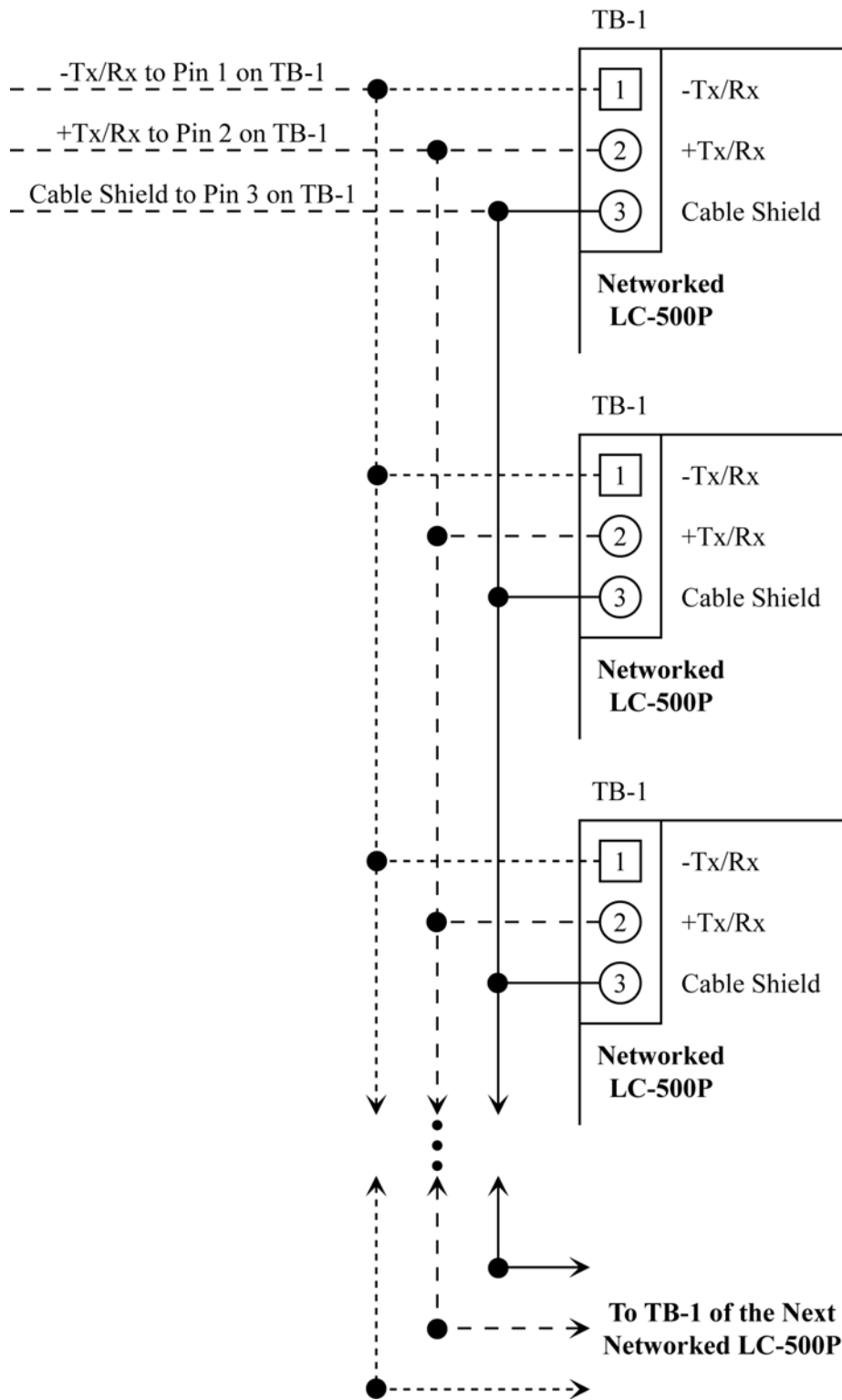


Figure 7: Daisy-Chained RS-485 Controller Network

Proximity Elevator Control Panel

5.2.3 Reader Daisy-Chain

One Proximity reader is shared by all elevator control panels in an elevator control application. The main reader connections are made to a primary LC-502P elevator panel. All other reader connections to the remaining LC-502P/LC-508P panels are made per the following rules.

1. The reader antenna line must be daisy-chained to all other elevator panel antenna inputs – Pin 1 of TB-5 and TB-6 on the LC-502P/LC-508P panels.
2. The reader ground line must be daisy-chained to all other elevator panel antenna grounds to provide a standard ground reference for all panels – Pin 4 of TB-5 and TB-6 on the LC-502P/LC-508P panels.
3. The reader's positive power line must be connected to the master elevator panel ONLY (Pin 3 of TB-5 on the master LC-502P/LC-508P panel).

Make the reader connections per the information in Figure 8.

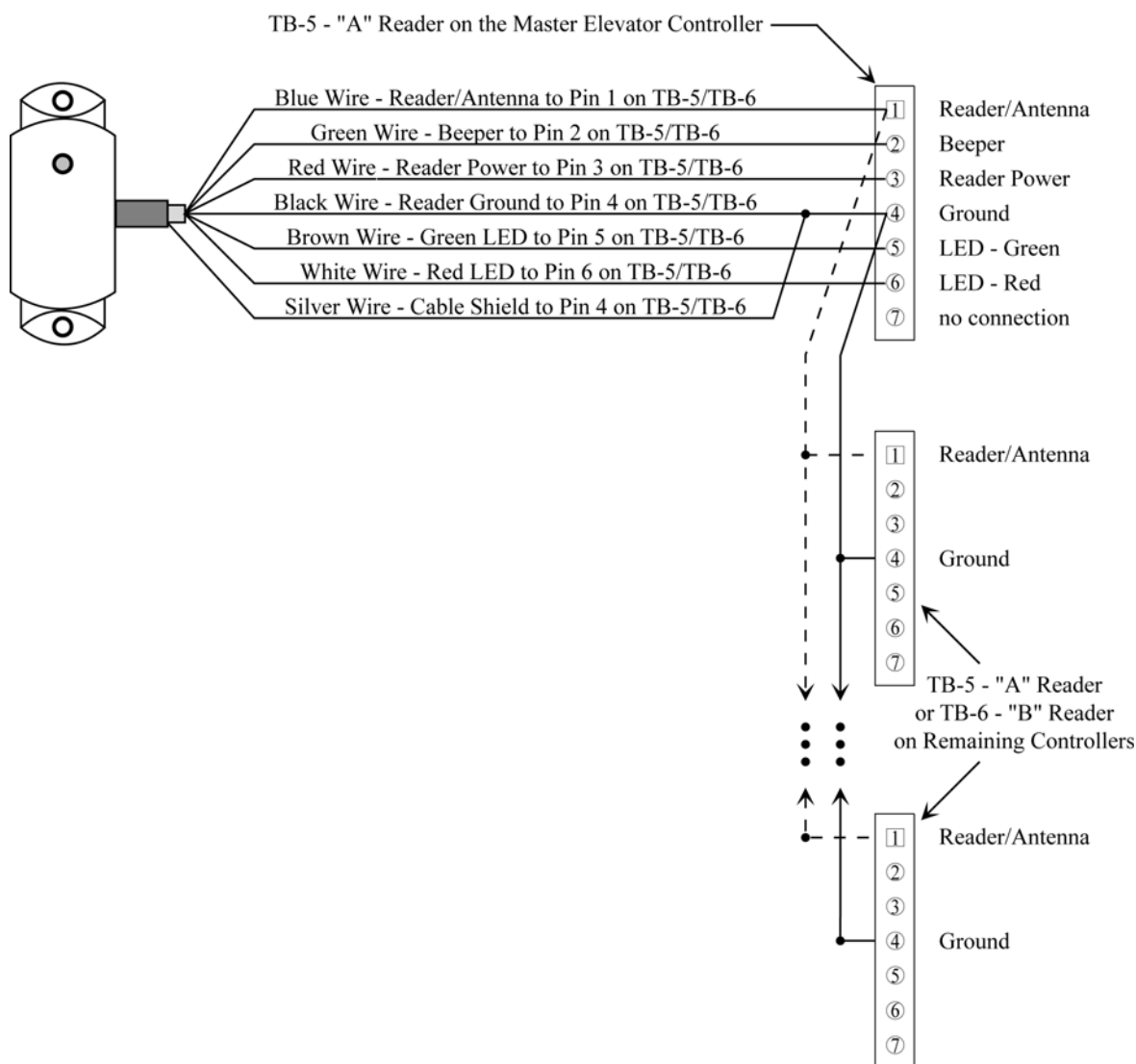


Figure 8: Daisy-ChainedReader Connections

Proximity Elevator Control Panel

5.2.4 Earth Ground and Power

The LC-502P panel requires 12 VDC power at 750 mA. You must make a quality earth ground connection to the controller prior to connecting the DC power lines. The earth ground provides protection for the controller and ensures the best possible operating conditions. Possible sources for earth ground are a ground rod, a cold water pipe, a steel building frame, the electrical system ground at the breaker/fuse box, or the telephone system ground. Make the earth ground and power connections per the information in Table 4 and Figure 9.

Table 4: Earth Ground and Power Connections

TB-2 Pin	Description
1	+ 12 VDC Power Line
2	- 12 VDC Power Line
3	Earth Ground

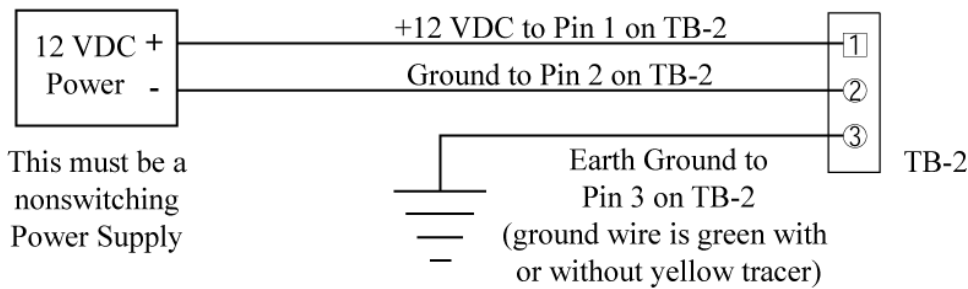


Figure 9: Earth Ground and Power Connections

Proximity Elevator Control Panel

5.3 LC-508 Wiring Connections

The connections between the individual LC-500P/SB-500 controllers in the LC-508 Elevator Control panel are already wired. All user connections are brought out to three terminal strips.

- one strip on the left side of the enclosure for all Floor Control Relay connections
- one strip on the bottom-right of the enclosure for the controller power, the controller network daisy-chain input, and the proximity reader daisy-chain input connections
- one strip on the bottom-left of the enclosure for the controller network daisy-chain output and the proximity reader daisy-chain output connections

Figure 10 provides a diagram of these terminal strip connections.

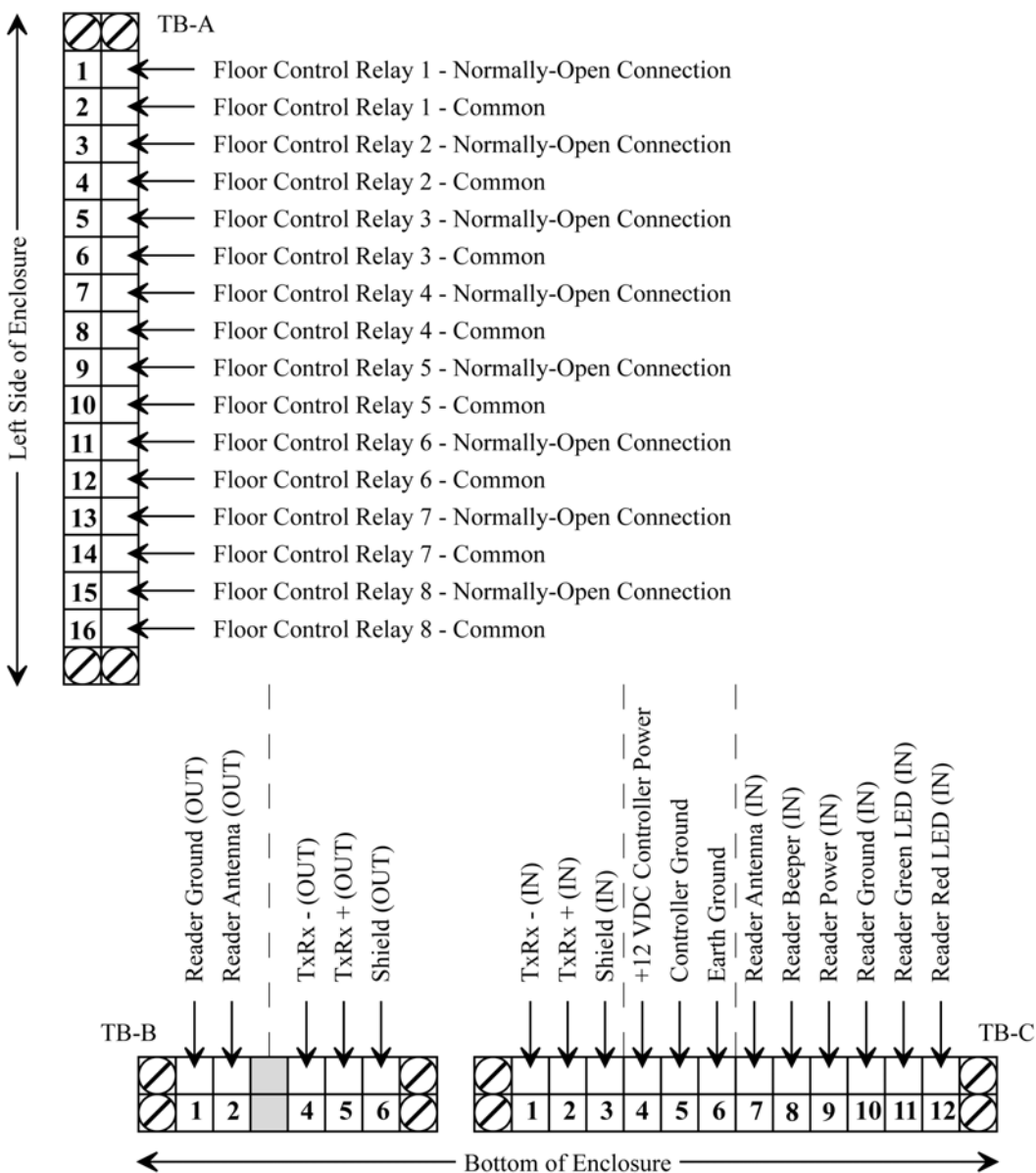


Figure 10: LC-508 Elevator Panel Wiring Connections

Proximity Elevator Control Panel

5.4 Wiring Multiple Panels Together

As many as 24 floors may be controlled using a combination of LC-502Ps and LC-508Ps; the first eight floors must be controlled by an LC-508P. After that, any combination of LC-502Ps and LC-508Ps can be added to meet your floor requirements.

5.4.1 LC-508P/LC-502P Combination

Perform the following wiring instructions to accommodate an elevator application using an LC-508P and one or more LC-502P panels (9 to 16 floors).

1. Make a complete set of connections to the LC-508P panel. Refer to Section 5.3 on page 15 and Figure 10 on page 15 for all connections to the LC-508P.
2. Daisy-chain the Antenna and Ground reader connections from the LC-508P panel to the LC-502P panel(s). Make the connections per the information in Table 5 and Figure 11 on page 17.

Table 5: LC-508P to LC-502P

W-TB-B (Out) W-TB-C (In)	LC-508P Reader Terminal Strip	LC-502P TB-5 or TB-6
Pin 2	Reader Antenna	Pin 1
Pin 1	Reader Ground	Pin 4

3. Daisy-chain the TxRx+, TxRx-, and Shield Network Communication connections from the terminal strip on the LC-508P to each of the LC-502P panels. Make the connections per the information in Table 6 and Figure 12 on page 18.

Table 6: LC-508P to LC-502P Panel Network Communication Wiring

W-TB-B (Out) W-TB-C (In)	Connection	LC-502P TB-1
Pin 4	TxRx-	Pin 1
Pin 5	TxRx+	Pin 2
Pin 6	Shield	Pin 3

4. Refer to Section 5.2.1 on page 10 for the LC-502P floor relay connections.
5. Refer to Section 5.2.4 on page 14 for the LC-502P panel power connections.

Proximity Elevator Control Panel

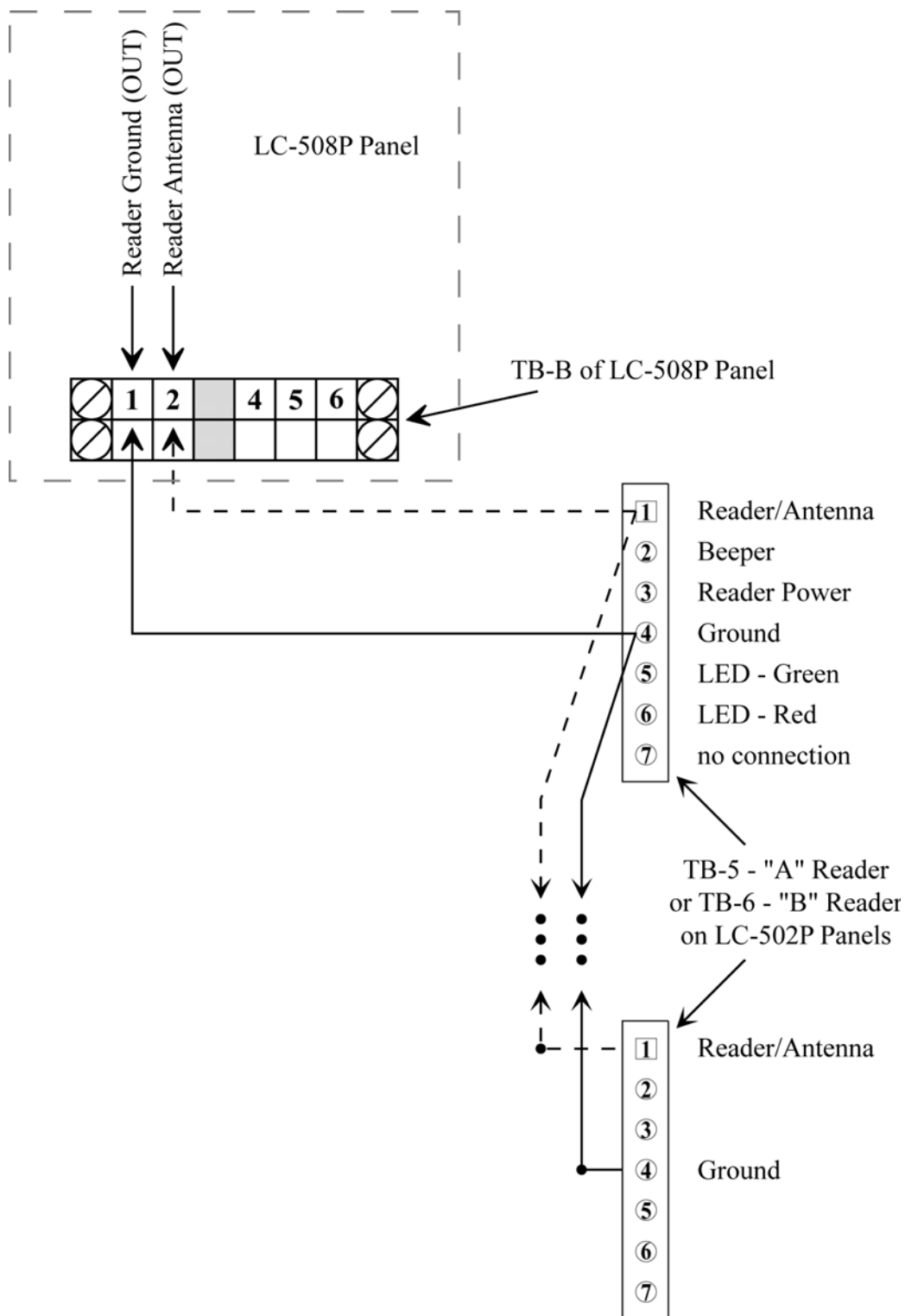


Figure 11: LC-508P to LC-502P Reader Wiring Connections

Proximity Elevator Control Panel

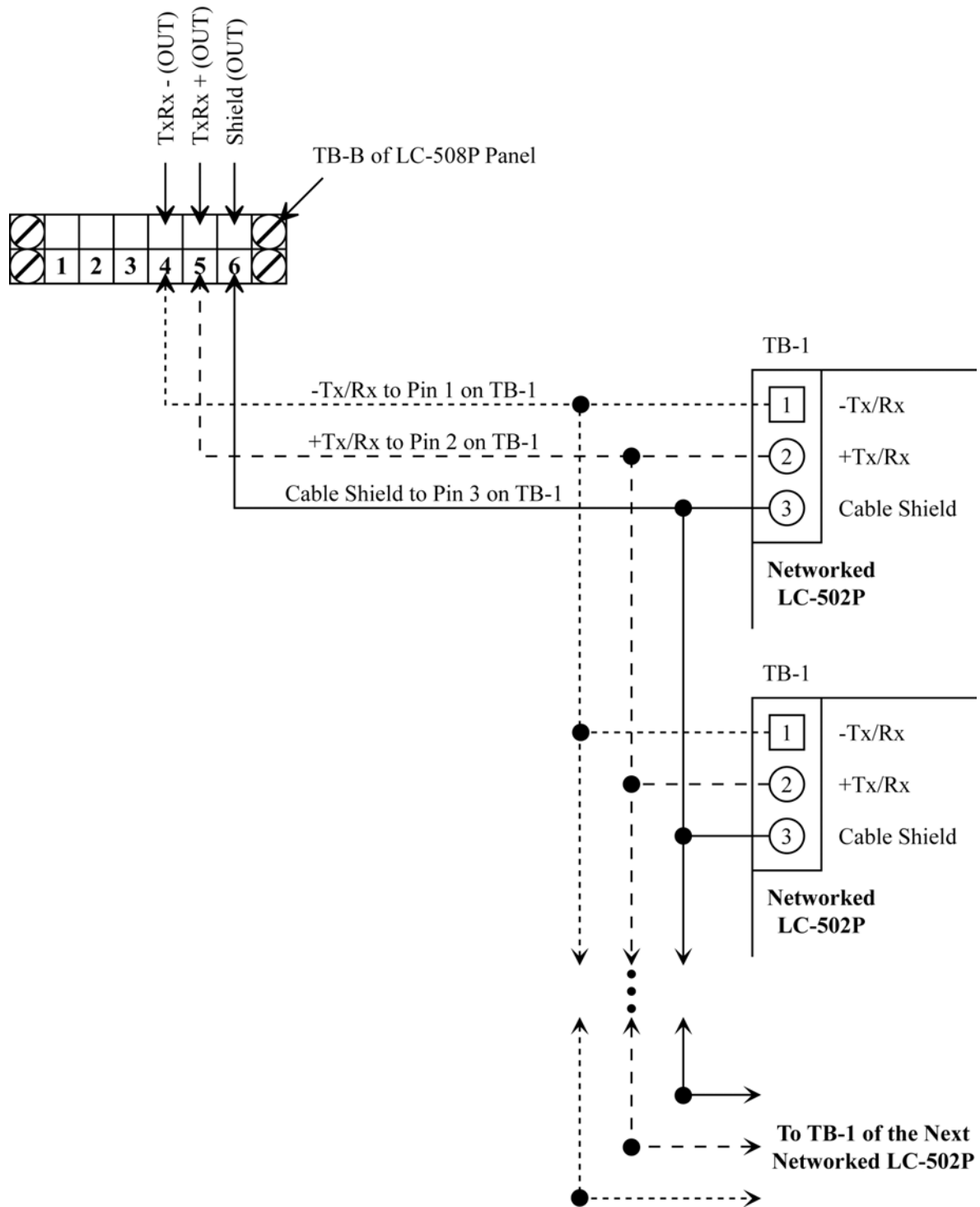


Figure 12: LC-508P to LC-502P Network Communication Wiring

Proximity Elevator Control Panel

5.4.2 LC-508P/LC-508P Combination

Perform the following wiring instructions to accommodate an elevator application using two LC-508P panels; up to 16 floors (for 24 floors, add a third LC-508P and continue the daisy-chain wiring to the third panel).

1. Make a complete set of connections to the first LC-508P panel. Refer to Section 5.3 on page 15 for all connections to the LC-508P. This panel must have the master elevator controller (the controller with address 1).
2. Daisy-chain the Antenna and Ground reader connections from the terminal strip on the first panel to the terminal strip on the second panel. Make the connections per the information in Table 7 and Figure 13.

Table 7: LC-508P to LC-508P

First LC-508P Reader Terminal Strip	Second LC-508P Reader Terminal Strip
Reader Antenna	Reader Antenna
Reader Ground	Reader Ground

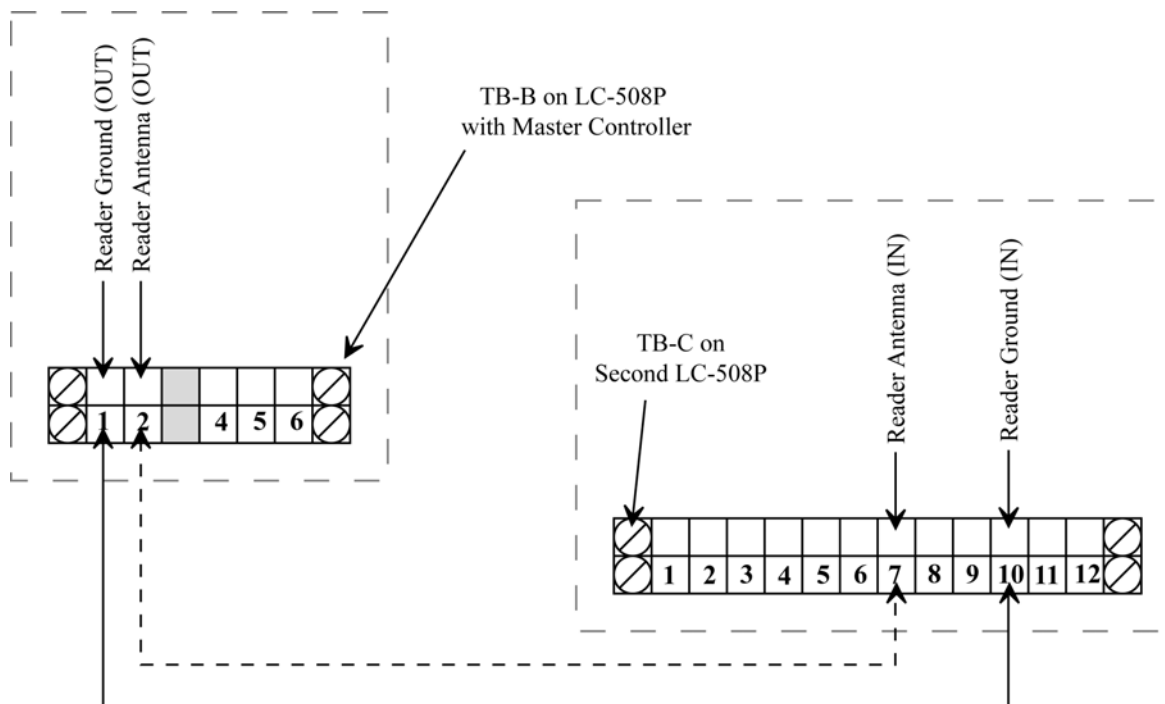


Figure 13: LC-508P to LC-508P Wiring Connections

Proximity Elevator Control Panel

- Daisy-chain the TxRx+, TxRx-, and Shield Network Communication connections from the terminal strip on the first panel to the terminal strip on the second panel. Make the connections per the information in Table 8 and Figure 14.

Table 8: LC-508P to LC-508P Network Communication Wiring

TB-B on First LC-508P	TB-C on Second LC-508P
TxRx-	TxRx-
TxRx+	TxRx+
Shield	Shield

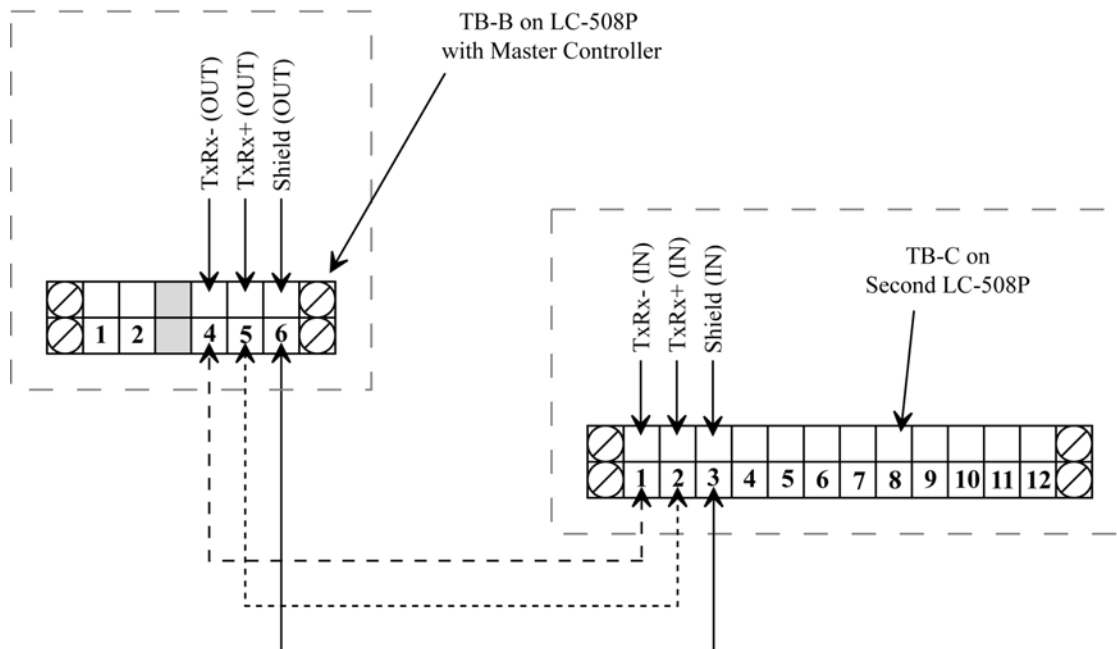


Figure 14: LC-508P to LC-508P Network Communication Wiring

- The floor/relay connections for the second LC-508P are made according to the floor/panel association. Refer to Section 5.3 on page 15 for all floor/relay connections to the LC-508P. Power connections are made per the instructions in Section 5.2.4 on page 14.

Proximity Elevator Control Panel

5.5 Host Computer Wiring Connections

The wiring connections between the Host Computer and the access control/elevator control network are thoroughly described in the PXL-500/PXL-510 Quick Start Guide (P/N 01918-001). Please refer to these documents for information regarding host computer/network connections.

6.0 Elevator Reader Responses to Access Control Events

During day-to-day activity, the reader in the elevator car will respond to access control events in a specific manner. Refer to Table 9 for a summary of the Reader's LED and beeper actions during access control events.

Table 9: Reader Responses to Access Control Events

Event	LED Status	Beeper Status
waiting for card presentation	displays a steady Amber LED	silent
upon card presentation	flashes a Green LED	one short beep

Proximity Elevator Control Panel

Quick Start Guide

LC-502P/LC-508P

This page is intentionally left blank.