

# Entraguard Heater

## Installation Guide

---

The EntraGuard Heater is designed to provide enough heat within the telephone entry enclosure to protect the LCD display and ensure proper unit operation during times of extremely low temperature. Once the heater and thermostat are installed, the thermostat monitors the temperature inside the EntraGuard box and activates the heater to maintain the necessary temperature for proper unit operation. The thermostat is specified to close at 40° F to turn on the heater and then open at 60° F to turn off the heater.

This document provides installation instructions for each of the three Entraguard types.

*Installation instructions are included for older enclosures with the original thermostat mounting location. For these units, the thermostat will need to be epoxied into a designated location in the enclosure before installing the heater and making the electrical connections. This new location allows the thermostat to more efficiently maintain a steady temperature within the enclosure.*

Newer enclosures have relocated the thermostat mount to this new location in the enclosure.

## 1.0 Attaching the Thermostat to the Enclosure

The Enclosure has two screw-posts to which the thermostat is attached and two embedded nuts (affixed to the body of the enclosure) to which the heater is attached. Keri has found that the original location for the thermostat does not properly regulate temperature in the unit. To counter this, we have identified a new location for the thermostat. Newer enclosures have relocated the thermostat screw-posts to the desired location. Older enclosures require using epoxy (provided in the heater kit) to attach the thermostat to the new location.

- Figure 1 shows the new location where the thermostat is installed for Silver and Platinum units.
- Figure 2 shows the new location where the thermostat is installed for Titanium units.

If you do not find two screw-posts in this location, you have an older enclosure and you will have to use the epoxy to attach the thermostat.

### 1.1 Mounting the Thermostat in an Original Enclosure

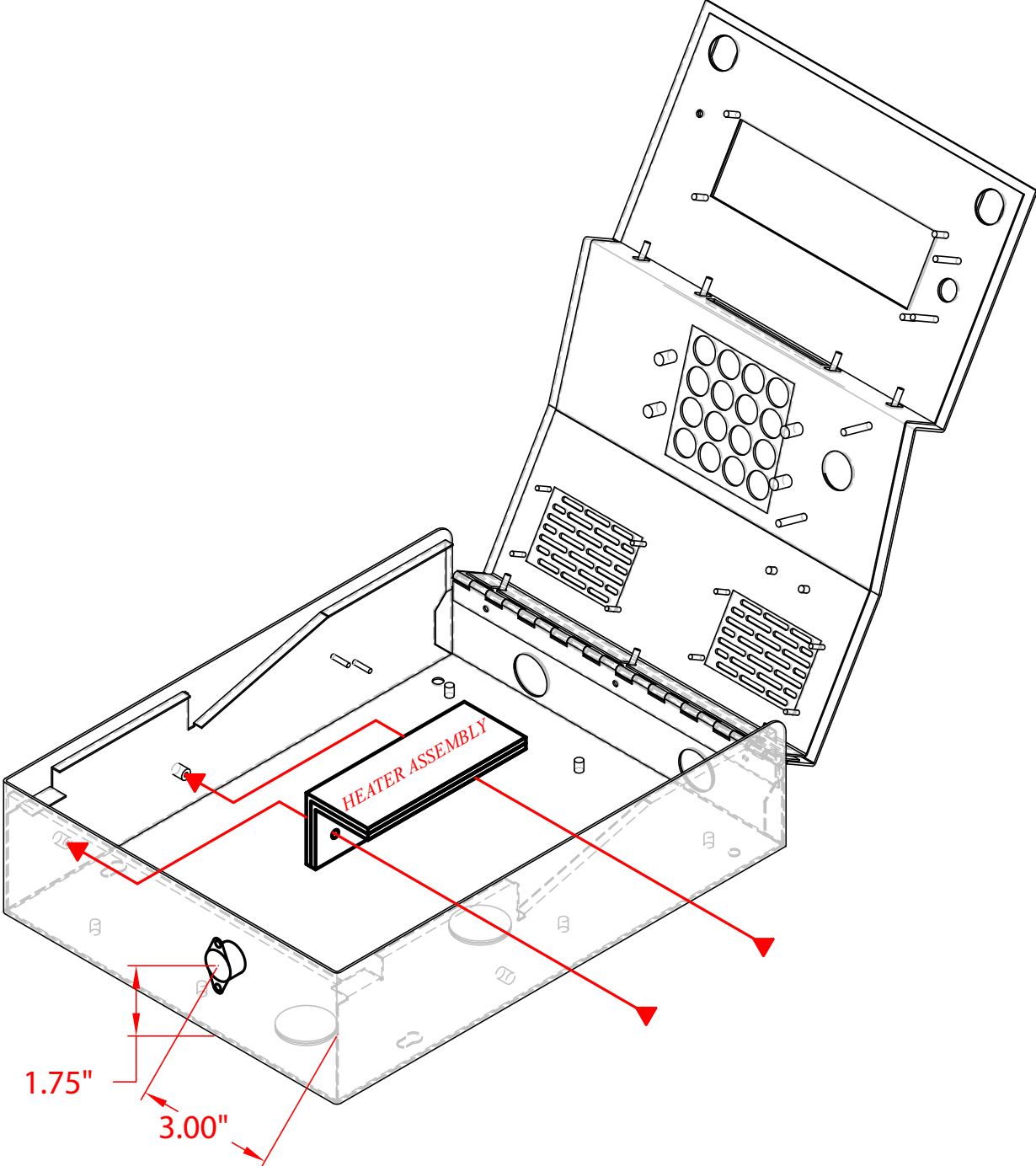
- Mix the epoxy per the directions on the package. Once mixed, you have 3 minutes to transfer the epoxy to the enclosure and set the thermostat.
- Press the thermostat into place as shown in Figure 1 or Figure 2 according to unit type.
- Ensure the thermostat is held in place for **15 minutes** so the epoxy sets.
- The epoxy will cure in temperatures as low as 0° F and will maintain its adhesive strength between - 40° F and 300° F.

### 1.2 Mounting in a New Enclosure

- Locate the two screw-posts in the enclosure. Slide the thermostat into place and secure it using the two, provided nuts and washers as shown in Figure 1 or Figure 2 according to unit type.

# Entraguard Heater Installation Guide

---



**Figure 1: Thermostat Location in the Silver and Platinum**

# Entraguard Heater Installation Guide

---

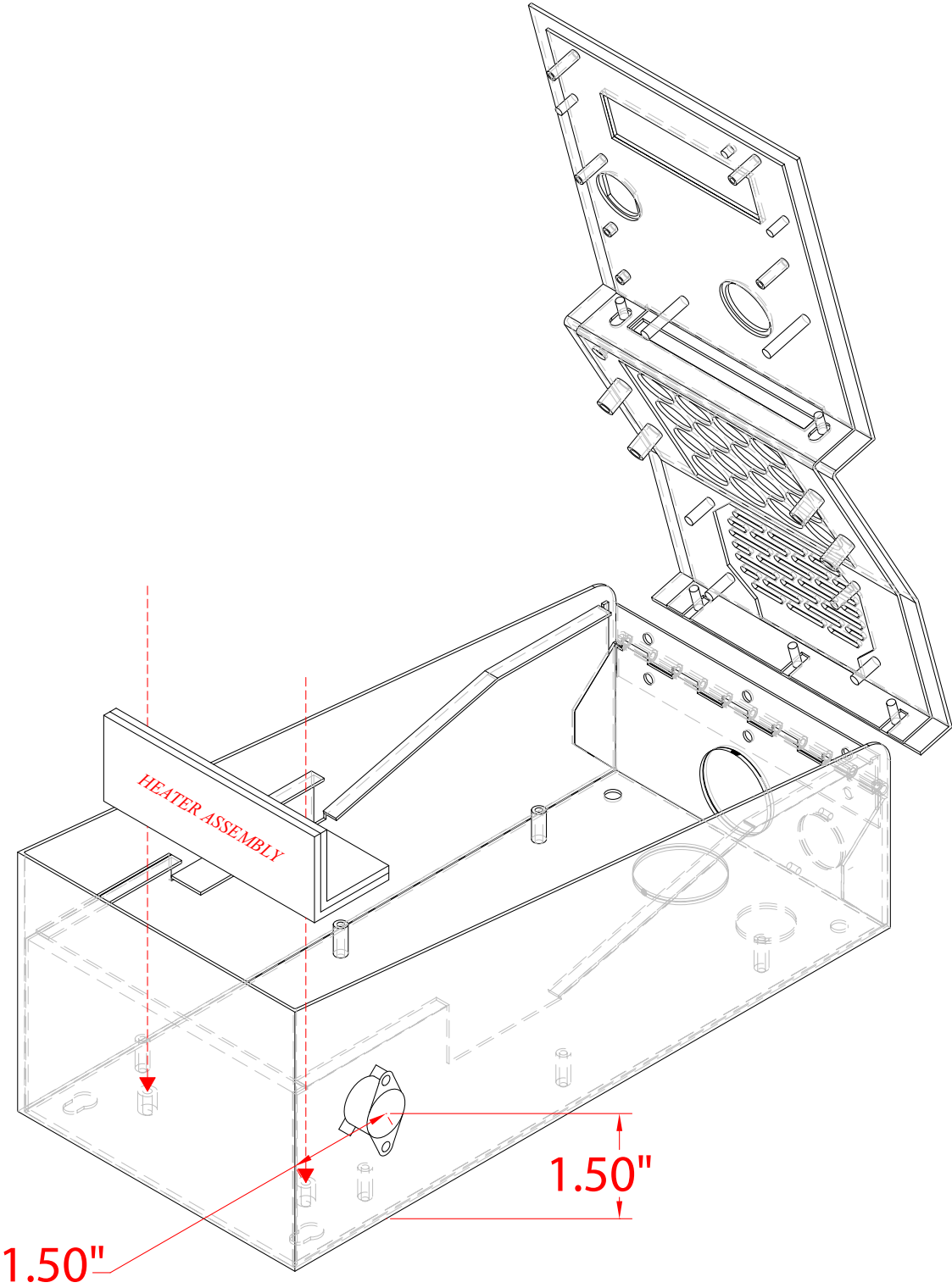


Figure 2: Thermostat Location in the Titanium

# Entraguard Heater

## Installation Guide

---

### 2.0 Installing the Heater

The Enclosure has two embedded nuts to which the heater is attached. Two screws are provided with the Heater.

- Figure 1 displays the location where the heater is to be installed for Silver and Platinum units.
- Figure 2 displays the location where the heater is to be installed for Titanium units.

Installation for the Silver/Platinum is a little awkward as the heater's orientation (designed to prevent interference with the PXL PCB) means you are working blind to insert the two installation screws.

### 3.0 Wiring the Heater and Thermostat

The heater and the thermostat must be wired, in series, with a power supply provided by the installer. The installer must also provide additional wiring to be run between these devices.

- The power supply must be capable of 24 VDC @ 1A.
- Use AWG 22 wire between devices. You will need to splice in additional wire between the power supply and the heater and thermostat.
- The wire distance between power supply and heater can be no more than 100 feet.

The heater assembly has two wires coming from the heating element. These are shown in RED in Figures 3 and 4.

One heater wire has a spade lug attached. This wire is connected directly to the thermostat.

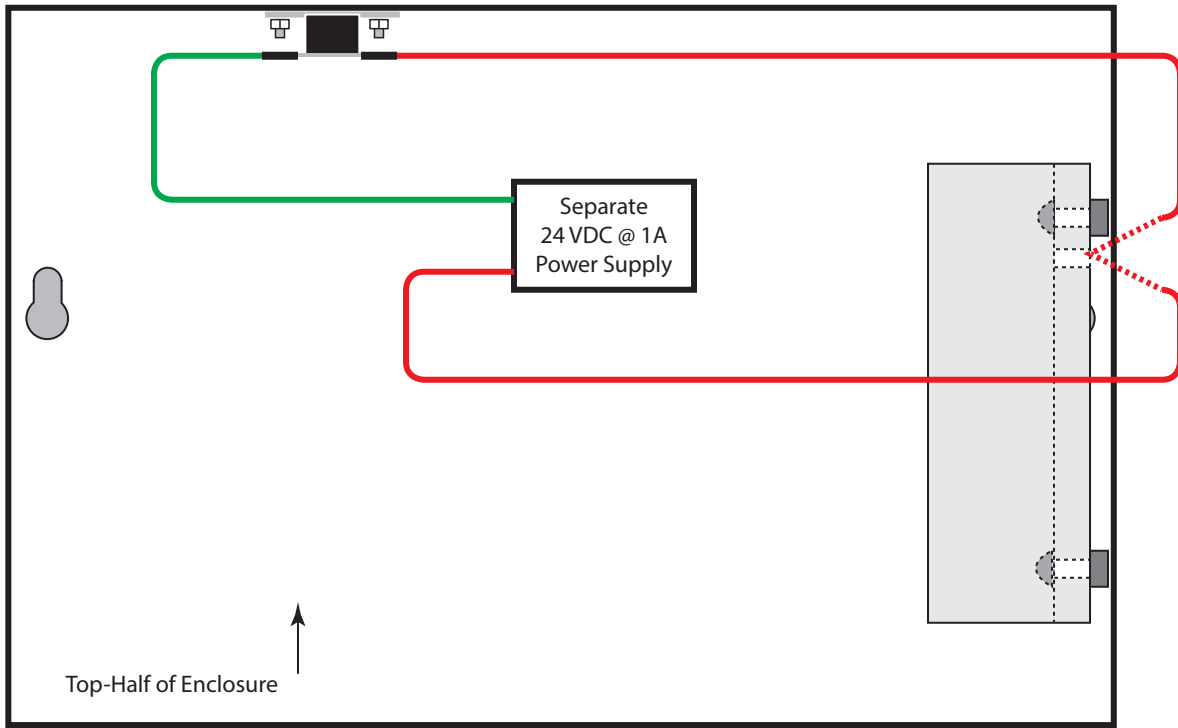
The second heater wire is routed to the power supply. Splice in additional wire as needed to make your connection.

The third wire runs from the power supply back to the thermostat to complete the circuit. This third wire is shown in GREEN in Figures 3 and 4. A spade lug is provided to make the connection to the thermostat. The lug can be either soldered or crimped to this new wire.

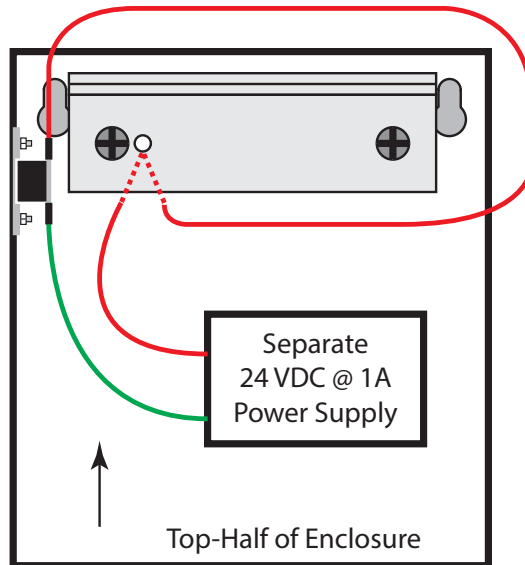
*NOTE: In making the power supply connection it does not matter which wire goes to the positive terminal and which to the negative terminal. It only matters that a complete circuit is made.*

# Entraguard Heater Installation Guide

---



**Figure 3: Heater Installation in the Silver and Platinum**



**Figure 4: Heater Installation in the Titanium**

Once these connections are made the Entraguard Heater is ready for operation.

# Entraguard Heater Installation Guide

---

## 4.0 Contact Keri Systems

Keri USA	Keri UK, Ireland, Europe
302 Enzo Drive Suite 190 San Jose, CA 95138	Unit 17 Park Farm Industrial Estate Ermine Street Buntingford Herts SG9 9AZ UK
Telephone: (800) 260-5265 (408) 435-8400	Telephone: + 44 (0) 1763 273 243
Fax: (408) 577-1792	Fax:+ 44 (0) 1763 274 106
Web: <a href="http://www.kerisys.com">www.kerisys.com</a>	Web: <a href="http://www.kerisystems.co.uk">www.kerisystems.co.uk</a>
E-mail: <a href="mailto:sales@kerisys.com">sales@kerisys.com</a> <a href="mailto:techsupport@kerisys.com">techsupport@kerisys.com</a>	E-mail: <a href="mailto:sales@kerisystems.co.uk">sales@kerisystems.co.uk</a> <a href="mailto:tech-support@kerisystems.co.uk">tech-support@kerisystems.co.uk</a>

- end of document -