

EntraGuard Platinum & Silver Hooded Mount

The HSE–95 Hooded Mount

The HSE–95 Hooded Mount is intended to provide a secure mount for the EntraGuard Platinum and EntraGuard Silver Telephone Entry Controller. The hooded mount may be attached to many different locations including a wall or on a post and provides extra protection from sunlight and weather. There are two knockouts provided allowing flexibility for location and routing of the cables. The EntraGuard unit is attached to the hooded mount using four washers and nuts (provided).

1.0 Dimensions

- 14 ⁵/₈ inches High x 10 ⁵/₈ inches Wide x 7 ³/₄ inches Deep (hood) and 4 inches Deep (base)
- 37 cm High x 27 cm Wide x 20 cm Deep (hood) and 11 inches Deep (base)

2.0 Cabling Knockouts

Two knockouts are provided for flexibility in routing cables. One is on the bottom of the mount. One is on the back of the mount.

NOTE: Identical knockouts are located on the EntraGuard unit for ease of routing cables. Be sure to use the corresponding knockouts on both the unit and the mount.

3.0 Controller Mounting

Once the hooded mount is mounted to its permanent location and the cabling is routed to the hooded mount, the EntraGuard Controller is attached to the mount. Four screws come already installed in the back of the mount. Simply place the controller mounting holes (located on the back of the EntraGuard unit) over the screws installed on the back of the hooded mount and firmly attach with the washers and nuts that are provided.



EntraGuard Platinum & Silver Hooded Mount

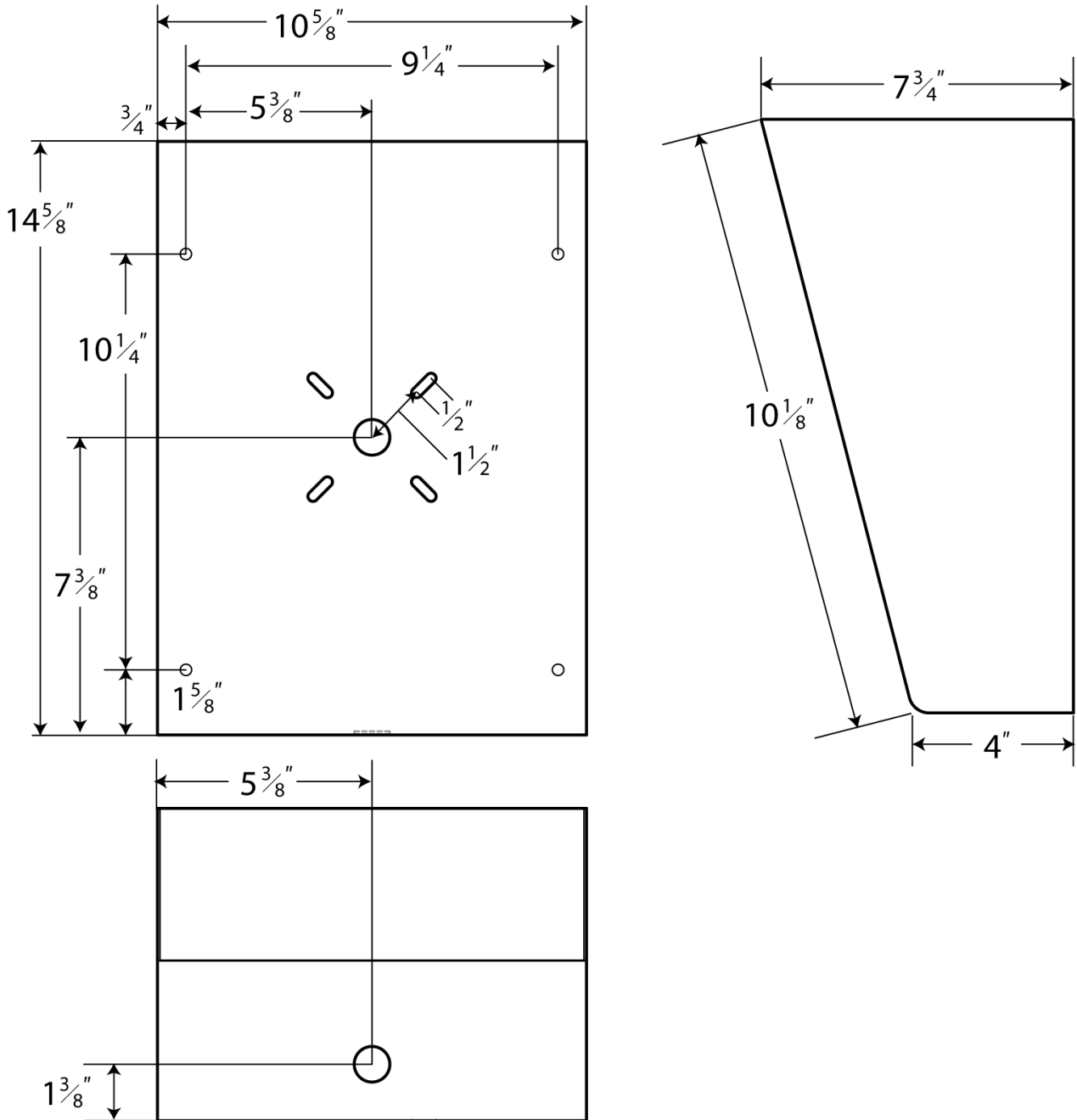


Figure 1: HSE-95 Hooded Mount Dimensions