

RMK-65: EntraGuard Titanium Recess Mount

The RMK-65 Recess Mount is intended to provide a secure wall mount for the EntraGuard Titanium Telephone Entry Controller. Using the recess mount gives an extra level of protection for the EntraGuard Titanium unit. There are two knockouts provided allowing flexibility for location and routing of the cables. Four holes are provided for mounting the recess mount and the controller. Four screws, washers, and nuts are also provided for mounting.

1.0 Dimensions¹

- 12 ³/₄ inches High x 5 ⁷/₈ inches Wide² x 2 ¹/₄ inches Deep
- (35 cm High x 15 cm Wide x 6 cm Deep)

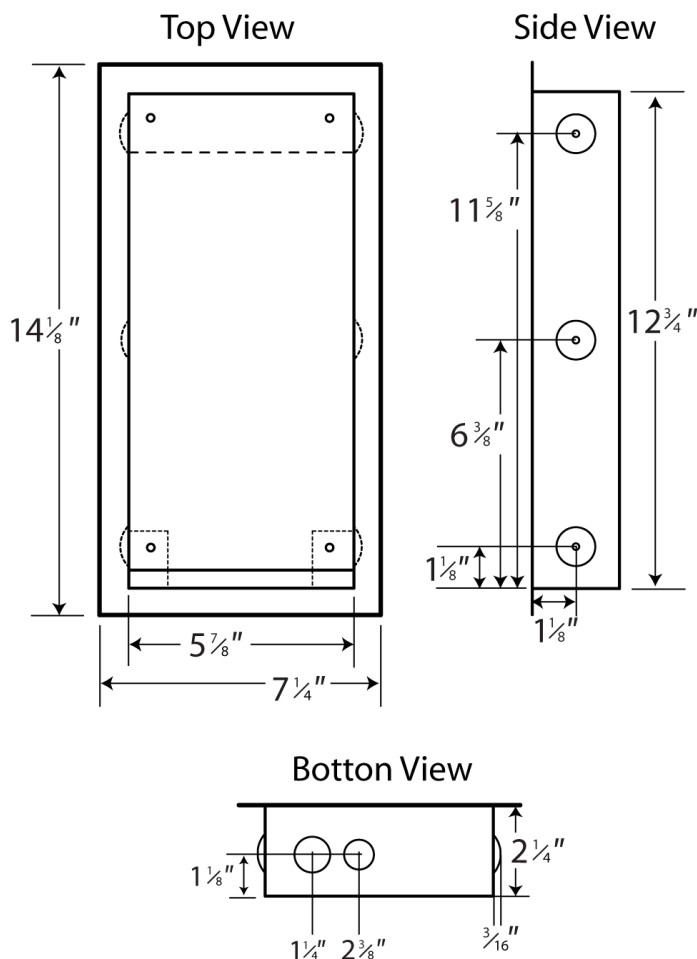


Figure 1: RMK-65 Recess Mount Dimensions

1. The dimensions given are for the recess mount box. This is the size to which the wall should be cut to allow the recess mount box to fit correctly.
2. An extra ³/₁₆ inches should be allowed on each side of the recess mount for the six extra mounting holes.



RMK–65: EntraGuard Titanium Recess Mount

2.0 Enclosure Mounting

The recess mount box has six mounting holes (three located on each side of the box). Secure the recess mount to the mounting surface using the six screws provided.

3.0 Cabling Knockouts

Two knockouts are provided on the bottom of the mount. Identical knockouts are located on the bottom of the EntraGuard Titanium unit.

NOTE: The two knockouts on the back of the EntraGuard Titanium box are still available for use.

4.0 Controller Mounting

Once the recess mount has been installed, place the controller in the recess mount box (making sure that all mounting and cabling holes align properly) and use the four nuts to secure the controller to the recess mount box.