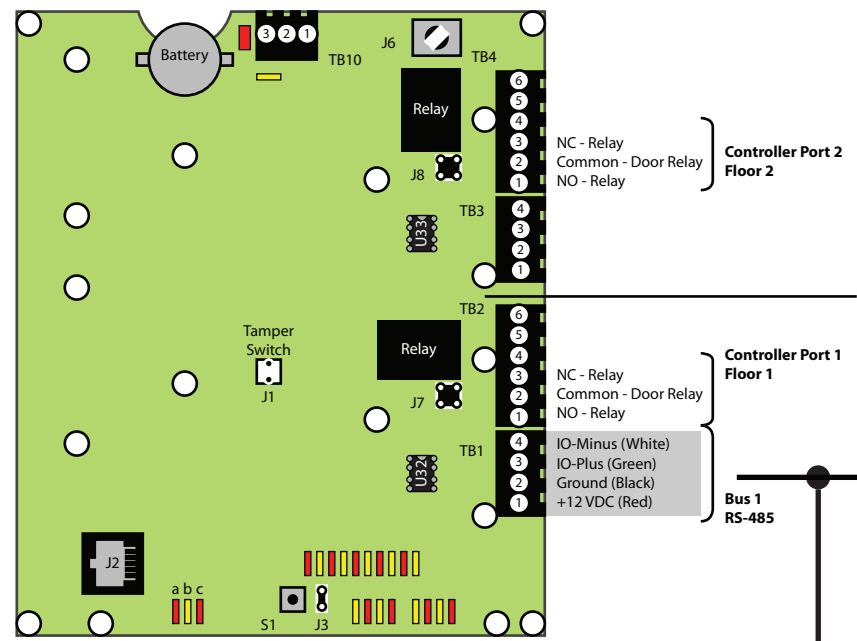
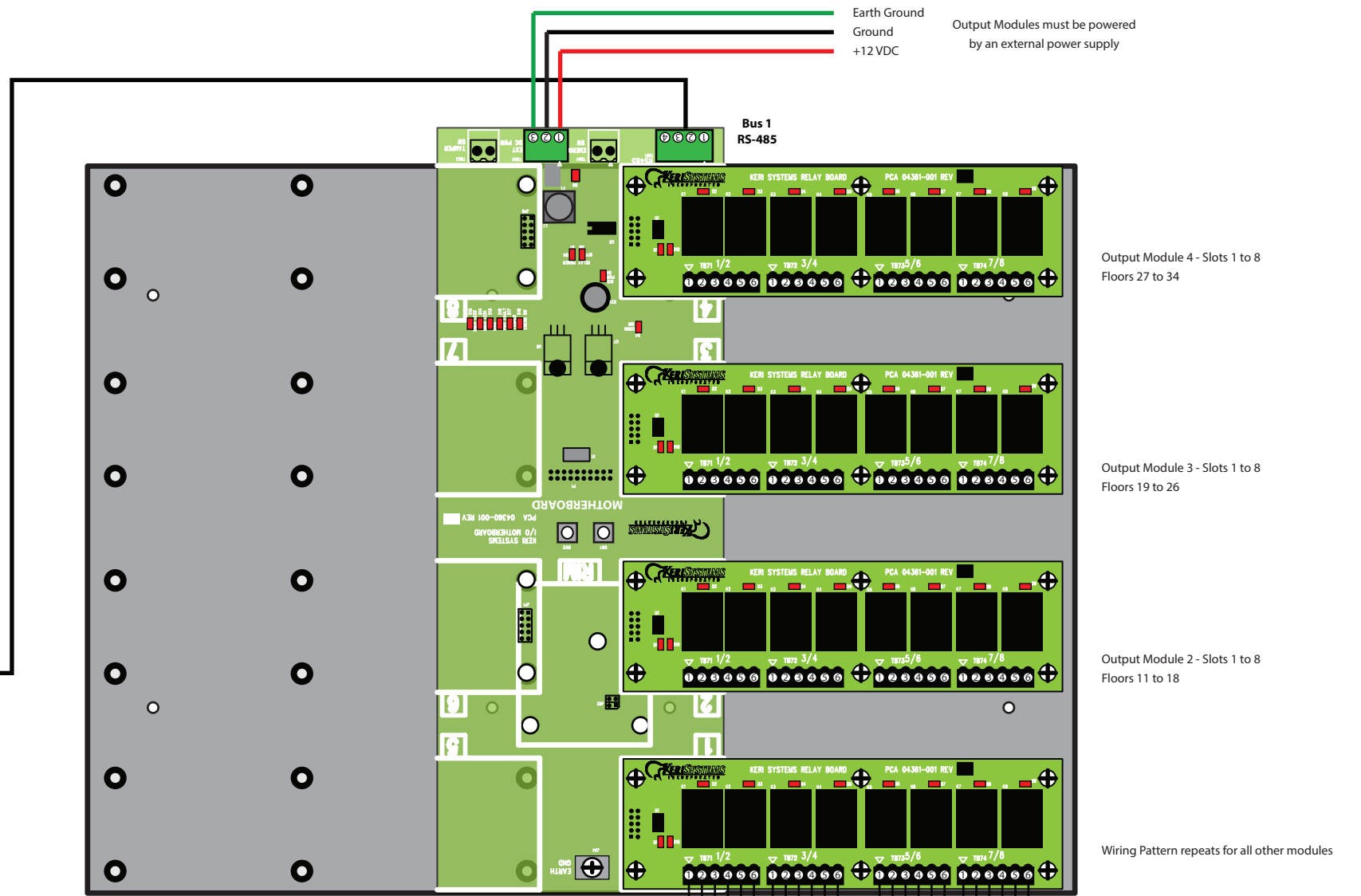


**Mercury Powered NXT-2D /GIOX
Elevator Control Installation Drawing**



p/n: 01245-003 - Rev.A



Earth Ground
Ground
+12 VDC
Output Modules must be powered
by an external power supply

Output Module 1 - Slot 1 Floor 3	NO - Relay Common - Door Relay NC - Relay	NO - Relay Common - Door Relay NC - Relay	Output Module 1 - Slot 2 Floor 4
Output Module 1 - Slot 3 Floor 5	NO - Relay Common - Door Relay NC - Relay	NO - Relay Common - Door Relay NC - Relay	Output Module 1 - Slot 4 Floor 6
Output Module 1 - Slot 5 Floor 7	NO - Relay Common - Door Relay NC - Relay	NO - Relay Common - Door Relay NC - Relay	Output Module 1 - Slot 6 Floor 8
Output Module 1 - Slot 7 Floor 9	NO - Relay Common - Door Relay NC - Relay	NO - Relay Common - Door Relay NC - Relay	Output Module 1 - Slot 8 Floor 10