

KPS-525 Power Supply

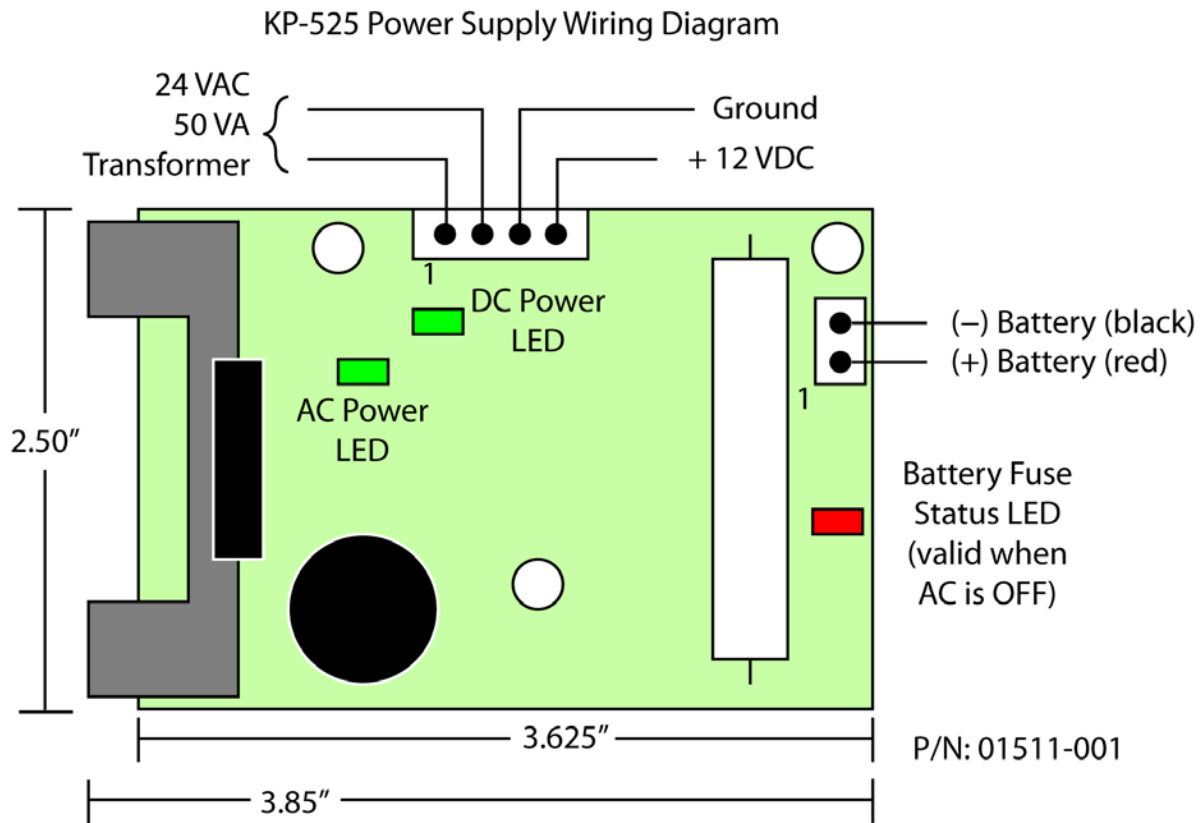
Installation Guide

- Section 1 – Wiring and Layout Diagram
- Section 2 – Specifications and Cable Requirements
- Section 3 – Keri Contact Information

NOTE: This device complies with Part 15 of the FCC Rules. Operation is subject to the following two conditions: (1) this device may not cause harmful interference, and (2) this device must accept any interference received, including interference that may cause undesired operation.

1.0 Wiring and Layout Diagram

1.1 KPS-525



2.0 Specifications

2.1 Dimensions

- PCB
 - 2.50 inches tall by 3.85 inches wide (including heat sink) by 1.6 inches deep (including heat sink, but not including wiring connectors)
 - 6.4 cm by 9.8 cm by 4.1 cm
- Enclosure
 - 8.00 inches tall by 7.00 inches wide by 2.75 inches deep
 - 20.32 cm by 17.78 cm by 6.98 cm

KPS-525 Power Supply

Installation Guide

2.2 Power Requirements

- 24 VAC 50 VA Class 2 Transformer

2.3 Output

- 13.8 VDC @ 2.5 A (typical)
- 13.8 VDC @ .50 A (battery float charge)
- 14.2 VDC @ 2.0 A (DC output to NXT)

2.4 Operating Conditions

- 32°F to 150°F (0°C to 60°C) – 0% to 90% Relative Humidity, non-condensing

2.5 Cable Requirements

Table 1: Cable Requirements

Connection	Total Run Length	# of Conductors	Shielded	Stranded	Twisted -Pair	AWG ^a	Belden Equivalent
AC power in	10 feet	2	N	Y	N	18	8442
ground	shortest path ^b	1	N	N	n/a	18	no specific requirement
DC power out	10 feet	2	N	Y	N	18	8442

- a. Heavier gauges than those listed are always acceptable.
- b. Use the shortest possible path from earth ground point to PCB. Connect the earth ground only to the designated pin on the terminal block. This is important as all transient protection for the unit is made through this earth ground connection. For unit protection, the earth ground connection should always be made first.

3.0 Contact Keri Systems

Keri USA	Keri UK, Ireland, Europe
2305 Bering Drive San Jose, CA 95131	Unit 17 Park Farm Industrial Estate Ermine Street Buntingford Herts SG9 9AZ UK
Telephone: (800) 260-5265 (408) 435-8400	Telephone: + 44 (0) 870 444 7234
Fax: (408) 435-7163	Fax: + 44 (0) 1763 274 106
Web: www.kerisys.com	Web: www.kerisystems.co.uk
E-mail: sales@kerisys.com techsupport@kerisys.com	E-mail: sales@kerisystems.co.uk tech-support@kerisystems.co.uk

End of document.