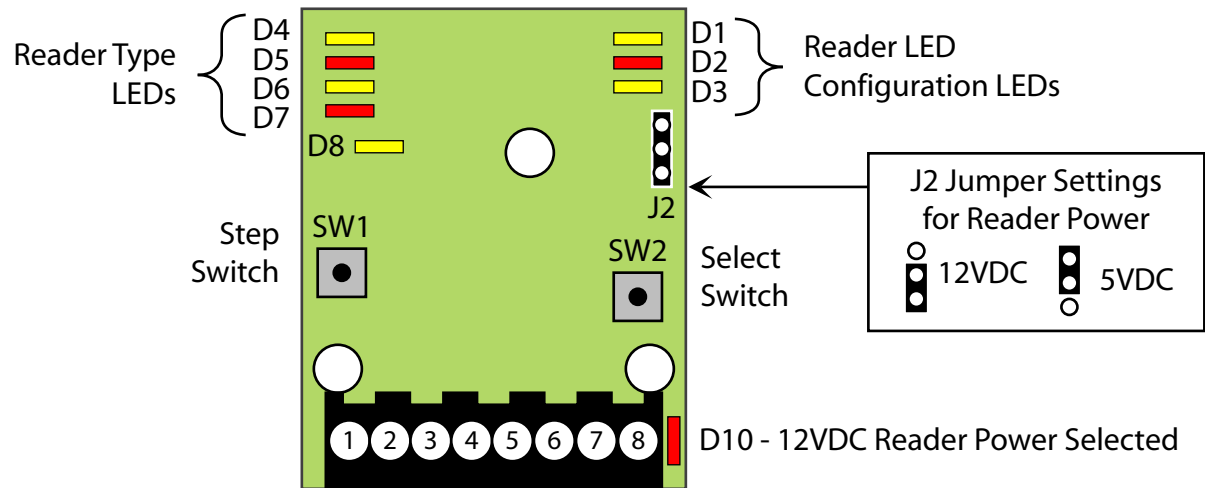


NXT-RM Installation Drawing



| Pin# | Keri-MS | Wiegand Single-line LED | Wiegand Dual-line LED |
|------|-----------|-------------------------|-----------------------|
| 1 | antenna | n/a | n/a |
| 2 | beeper | beeper | beeper |
| 3 | red LED | LED | red LED |
| 4 | green LED | n/a | green LED |
| 5 | +12vDC | +12vDC | +12vDC |
| 6 | GND | GND | GND |
| 7 | n/a | Data0 | Data0 |
| 8 | n/a | Data1 | Data1 |

P/N: 02501-002
Rev. G