

BioPointe Wiring

This application note provides basic installation information for the BioPointe Fingerprint Identification unit. For more information, please refer to the BioPointe User's Manual (located on the Keri Doors® CD or on the Keri website at www.kerisys.com).

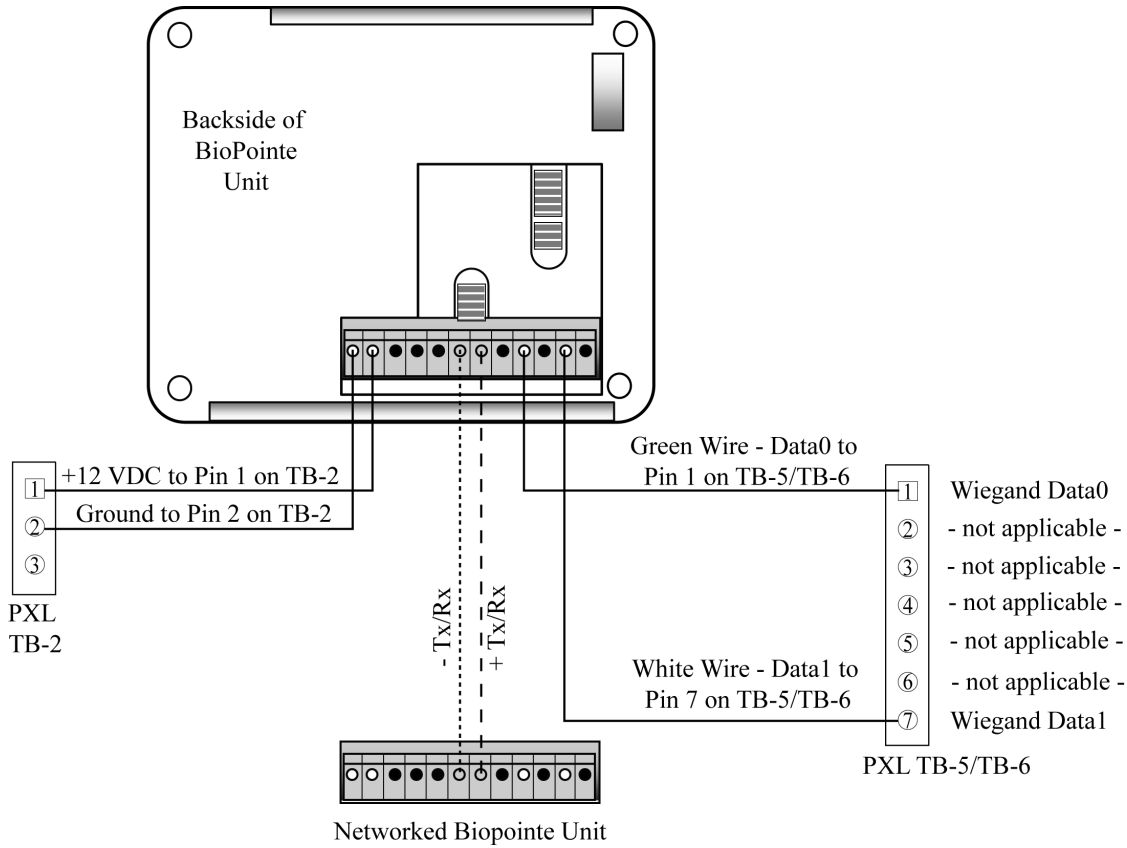


Figure 1: BioPointe Fingerprint Identification Unit - Wiring

1.0 Recommended Cables

RS-232 Serial Cable

- four conductor, shielded, stranded, AWG 24 wire (Belden 9534 or a larger gauge)
- 50 feet maximum length (per RS-232 industry specification - greater lengths are not recommended)

RS-485 Network Cable

- two conductor, shielded, twisted pair, stranded, AWG 24 wire (Belden 9501 or a larger gauge)
- 16,000 feet total network length



BioPointe Wiring

Input Power

- two conductor, stranded, AWG 18 wire (Belden 8461 or a larger gauge)

Keri Systems Controllers


- six conductor, shielded, stranded, AWG 24 wire (Belden 9536 or a larger gauge)
- four conductor, shielded, stranded, AWG 24 wire (Belden 9534 or a larger gauge)

NOTE: Make sure the cable shield is isolated from all grounds and other conductors.

NOTE: If communication problems occur when connecting multiple BioPointe units using an ADAM 4520 interface device on a 485 network, it may be necessary to install 120 ohm terminating resistors (included with each BioPointe unit). For further instructions on how to install the ADAM 4520, and installing the terminating resistors, refer to the BioPointe User's Manual (located on the Keri Doors® CD or Keri's website at www.kerisys.com).

2.0 BioPointe Central Software Settings

If a BioPointe with Prox unit is in use, the “User ID - No of digit” field **MUST** be changed to “5” for each device that will use cards. The following steps show how this is done.

1. From the BioPointe Central main page, click on Set Device Properties.
2. Select the Device ID(s) that will be using cards.
3. Click on the drop-down menu for the “User ID - No. of digit” and select “5” digits.
4. Click on the Update to Database button.
5. Click on the  button to download the new configuration to the assigned device(s).