

Telephone Bypass Module

The EntraGuard Bronze Telephone Bypass Module may be installed so that in the event of a short in the EntraGuard Bronze wiring, the EntraGuard Bronze unit may be bypassed, allowing the house phone to function as normal. The Telephone Bypass Module (Keri Systems P/N 05608-001) must be purchased separately from the EntraGuard Bronze.

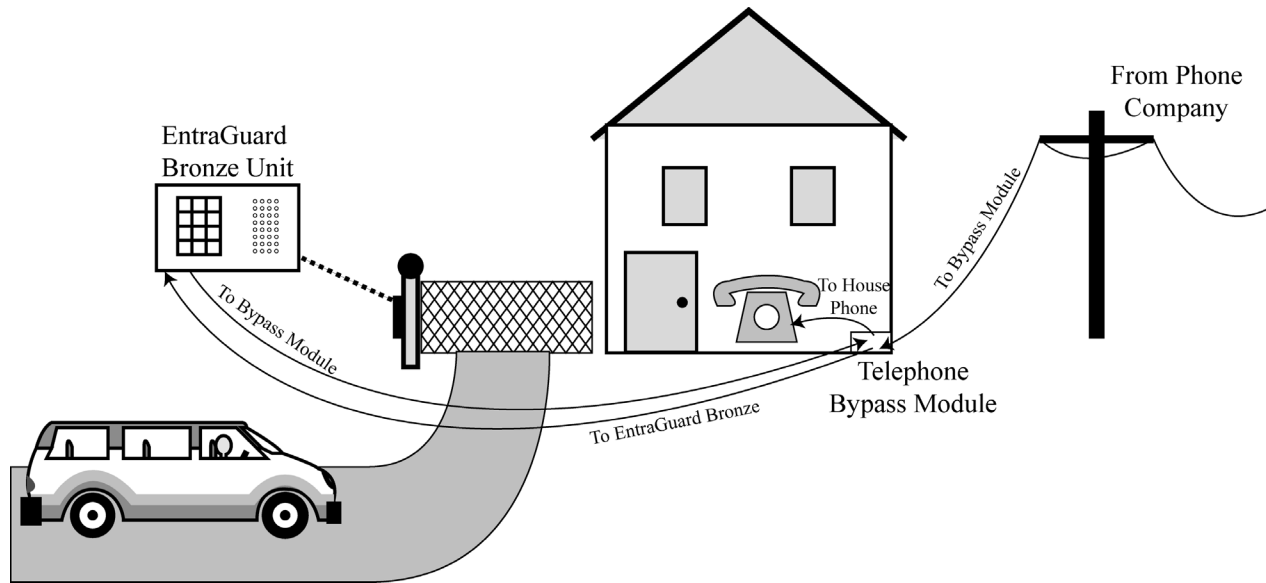


Figure 1: Telephone Bypass Routing

Telephone Bypass Module

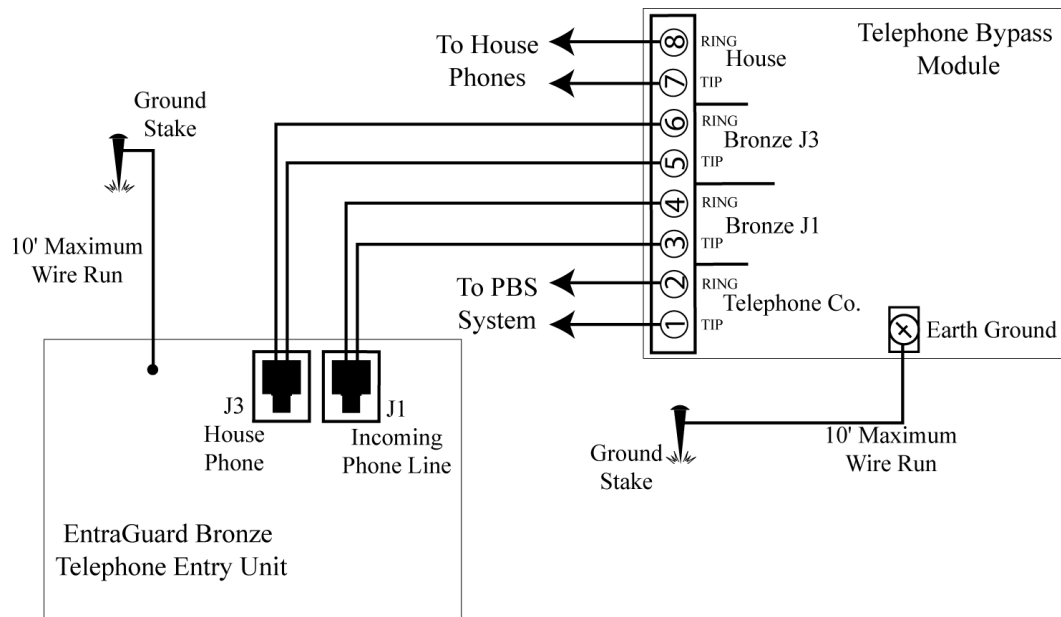


Figure 2: Bronze Telephone Bypass Module

1. Connect the bypass module's EARTH GROUND terminal to a good earth ground.
2. Before connecting the incoming telephone line to the bypass module, check the polarity of the wires with a DC voltmeter. Connect the negative wire (RING - usually green) to the bypass module TELCO RING terminal. Connect the positive wire (TIP - usually red) to the bypass module TELCO TIP terminal.
3. Connect the resident's local telephone line RING (usually green) to the bypass module HOUSE RING. Connect the local telephone line TIP (usually red) to the bypass module HOUSE TIP terminal.
4. Connect the Bronze Incoming Phone Line RING (J1) to the bypass module RE-1 TELCO RING terminal. Connect the Bronze Incoming Phone Line TIP (J1) to the bypass module RE-1 TELCO TIP terminal.
5. Connect the Bronze House Phone RING (J3) to the bypass module RE-1 HOUSE RING terminal. Connect the Bronze House Phone TIP (J3) to the bypass module RE-1 HOUSE TIP terminal.