

FMK-750: EntraGuard Gold Flush Mount

The FMK-750 Flush Mount is intended to provide a secure wall mount for the EntraGuard Gold Telephone Entry Controller. Using the flush mount gives an extra level of protection for the EntraGuard Gold unit. There are two knockouts provided allowing flexibility for location and routing of the cables. Four holes are provided for mounting the flush mount and the controller. Four screws, washers, and nuts are also provided for mounting.

1.0 Dimensions

- 12.296 inches High x 9.042 inches Wide x 2.824 inches Deep¹
- 31.23 cm High x 22.97 cm Wide x 7.17 cm Deep

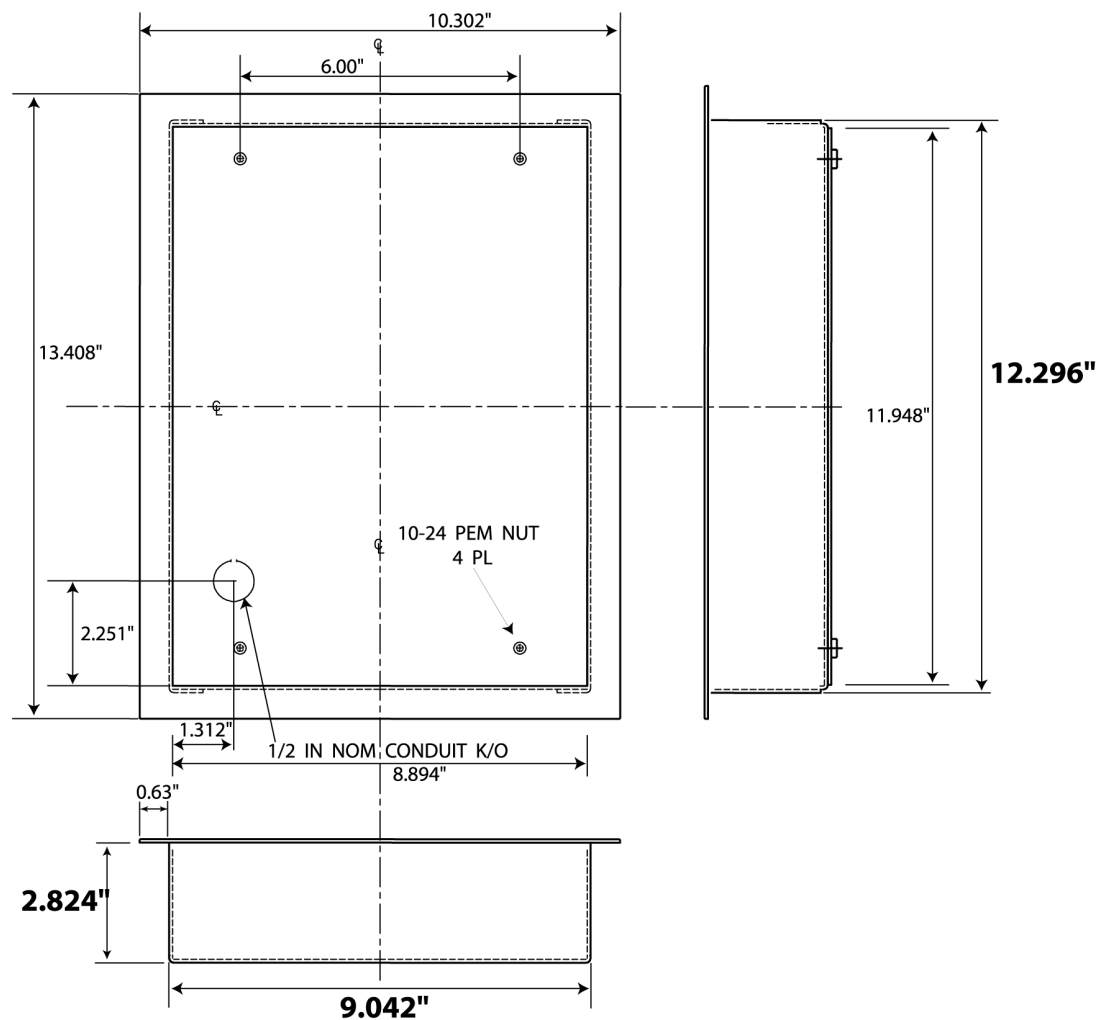


Figure 1: FMK-750 Flush Mount Dimensions

1. The dimensions given are for the flush mount box. This is the size to which the wall should be cut to allow the flush mount box to fit correctly.



FMK–750: EntraGuard Gold Flush Mount

2.0 Enclosure Mounting

The easiest method for marking the location of the mounting holes for drilling is to hold the enclosure against the mounting surface and then use a pencil to mark the mounting hole locations against the surface to which the enclosure is to be mounted.

3.0 Cabling Knockouts

Two knockouts are provided for flexibility in routing cables. One is on the bottom of the mount. One is on the back of the mount.

NOTE: Identical knockouts are located on the EntraGuard Gold unit for ease of routing cables. Be sure to use the corresponding knockouts on both the unit and the mount.

4.0 Controller Mounting

Once the locations of the mounting holes have been drilled, place the controller in the flush mount (ensuring all mounting and cabling holes align properly) and firmly insert the four screws through the controller and flush mount into the previously drilled mounting holes.

NOTE: There are an additional four mounting holes located on each side of the flush mount for help in mounting the flush mount if necessary.