

IRP-1 Isolation Relay

Installation Guide

1.0 Purpose

Keri controllers are designed with built-in voltage transient suppression. The controller ship kits also provide external transorb that Keri recommends installing. For most applications, this level of protection is more than adequate. However, there are certain applications that can require additional protection. Typically these are:

1. Magnetic locks and similar devices
2. Dry-contact devices for use with heavy-duty solenoids such as turnstiles, vehicle gates, and overhead doors

For these applications, the IRP-1 should be used to isolate the controller from the transients these devices can generate, ensuring reliable protection and operation of the controller.

2.0 Kit Contents

The IRP-1 kit is made up of the following items:

- One relay PCB
- One transorb (1.5KE39C nonpolarized)
- Double sticky-sided foam tape (for PCB mounting)

3.0 Specifications

The isolation relay is rated at 12 A max @ 28 VDC.

4.0 Wiring Diagrams

This document provides generic drawings for wiring to an external locking device (such as a magnetic lock or door strike) and to a dry-contact device (such as a switch or relay controlling a motor for a parking barrier or power gate). Please refer back to the Installation Guide for the Keri controller you are installing to determine the specific Terminal Blocks and Pins to which these wiring connections are made.

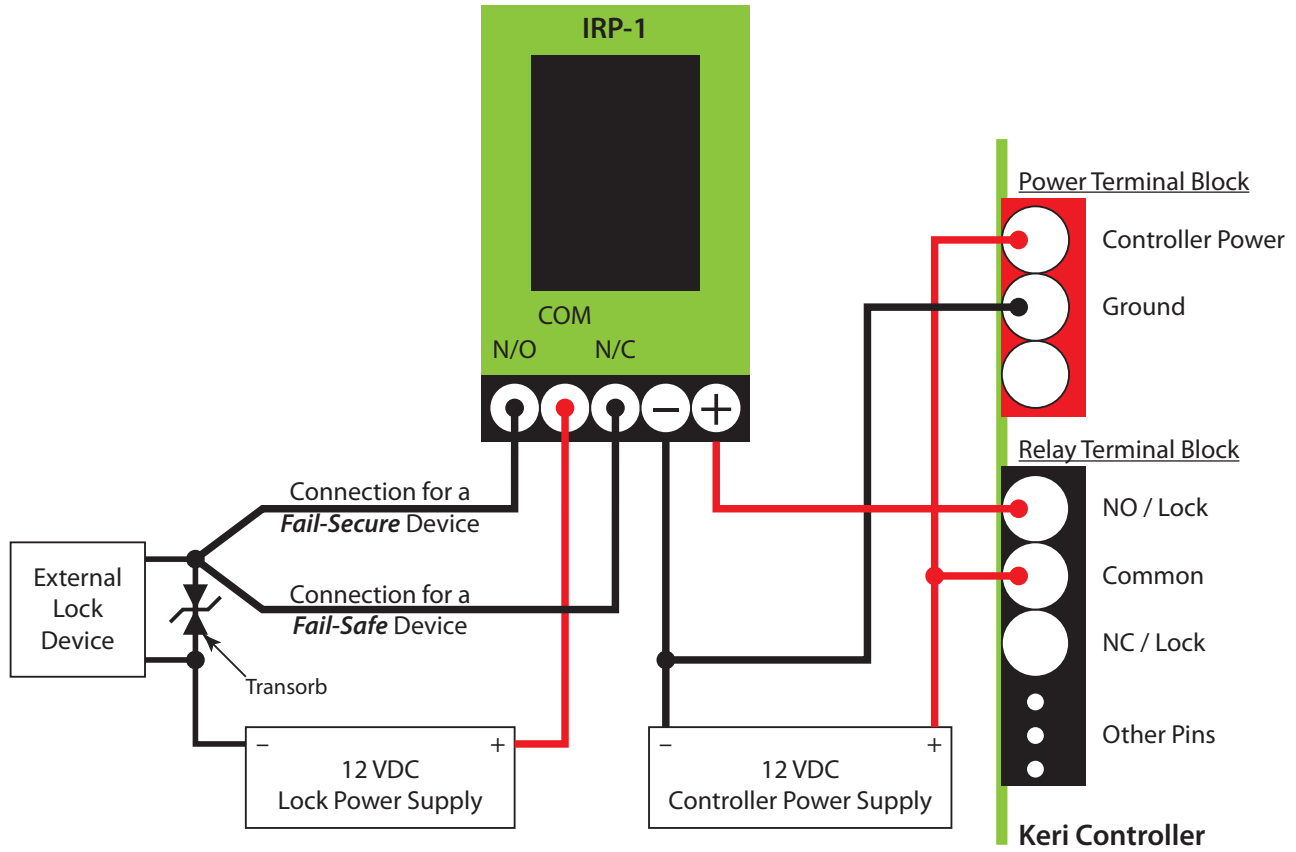
There are two wiring paths shown from the external lock to the N/O and N/C connections: one for a Fail-Secure device and one for a Fail-Safe device. Review the drawing and ensure you are making the correct connection for your application.

NOTE Install the supplied transorb as near to the external locking device or dry-contact device as possible. Do not install the transorb if the device is being powered with greater than 12 VDC.

IRP-1 Isolation Relay

Installation Guide

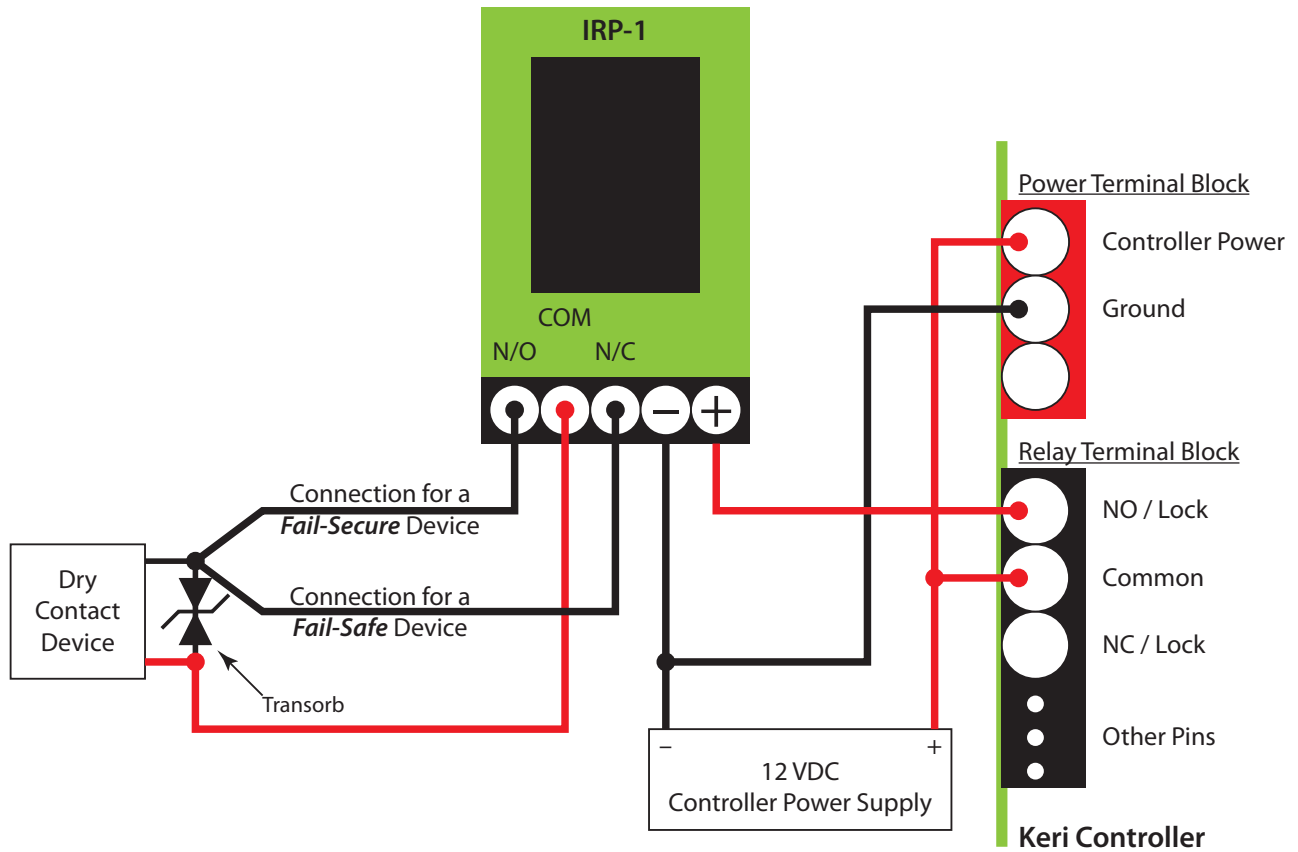
4.1 Wiring to an External Locking Device



IRP-1 Isolation Relay

Installation Guide

4.2 Wiring to a Dry Contact Device



IRP-1 Isolation Relay Installation Guide

5.0 Contact Keri Systems

Keri USA	Keri UK, Ireland, Europe
2305 Bering Drive San Jose, CA 95131	Unit 17 Park Farm Industrial Estate Ermine Street Buntingford Herts SG9 9AZ UK
Telephone: (800) 260-5265 (408) 435-8400	Telephone: + 44 (0) 1763 273 243
Fax: (408) 577-1792	Fax: + 44 (0) 1763 274 106
Web: www.kerisys.com	Web: www.kerisystems.co.uk
E-mail: sales@kerisys.com techsupport@kerisys.com	E-mail: sales@kerisystems.co.uk tech-support@kerisystems.co.uk

end of document