

Comm Board

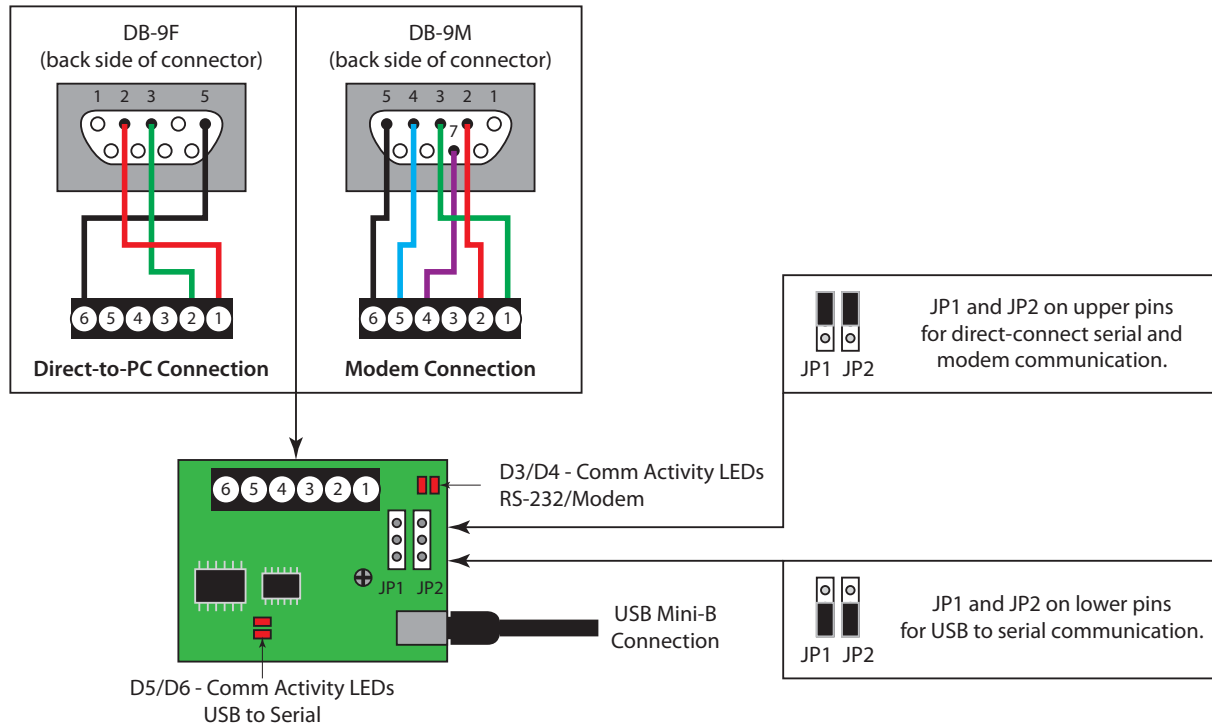
Installation Guide

The Comm Board provides the external link from master controller to host PC. Comm Boards are only needed for the master controller for each site. The Comm Board provides communication via either RS-232 serial/direct-connect, modem, or USB. For Ethernet/LAN communications a LAN-520 is still required (replacing the Comm Board).

*NOTE: The Comm Board can be used by any PXL family controller **except** the PXL-250.*

1.0 Wiring Connections

Make your wiring connections per the drawing below.



1.1 USB Communication

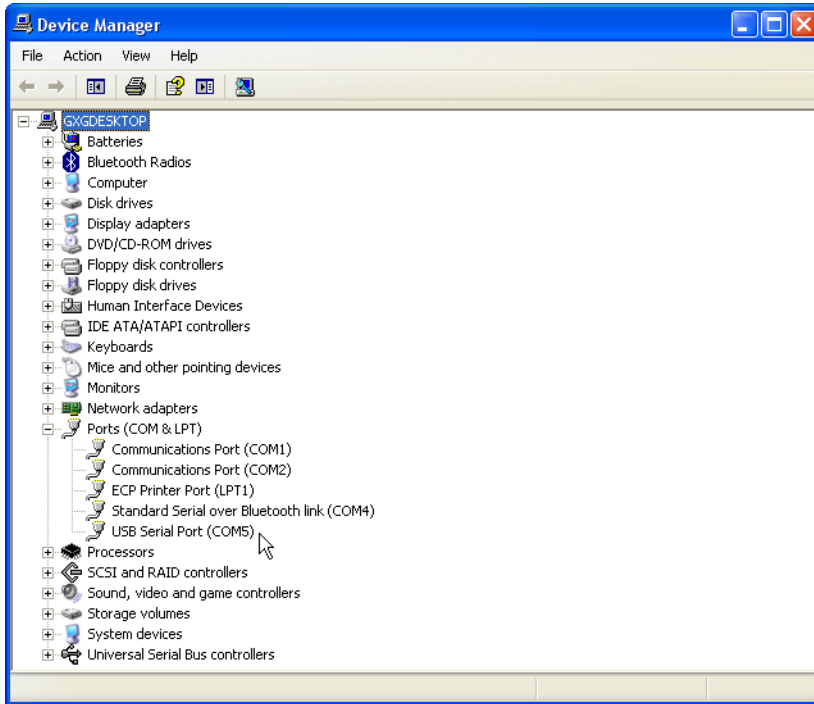
The Comm Board is capable of USB serial communication with the host PC using a Mini-B cable. The maximum cable length from PC to controller is 16 feet (5 meters). Perform the following to set the Comm Board for USB communication:

NOTE: Windows XP operating system screen examples are shown.

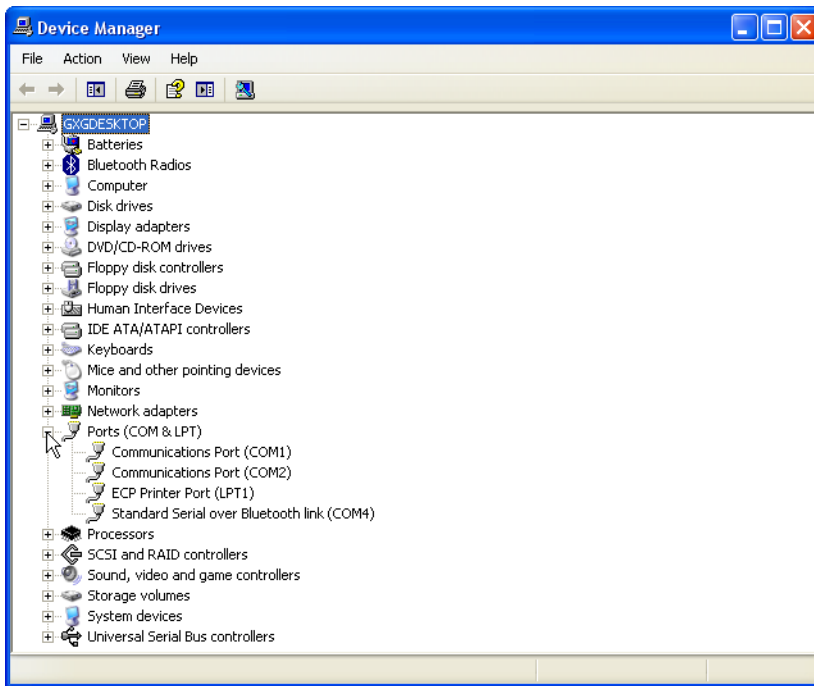
1. On the Comm Board, set JP1 and JP2 per the above drawing.
2. Plug the Comm Board onto the controller.
3. Plug the USB cable into the Comm Board.
4. Power up the controller.
5. Plug the USB cable into a port on the PC.
6. Install the USB driver if necessary. This driver will install automatically if there is a connection to the Internet, and is also included on the software DVD (Drivers\FTDI Driver folder).
7. Open the Device Manager window:
 - Start > Run > devmgmt.msc

Comm Board Installation Guide

8. View the list of available COM ports.



9. Disconnect the USB cable and note the COM port that disappears. This is the COM port assigned to the Comm Board.



10. Reconnect the USB cable and verify the COM port reappears with the same port assignment.

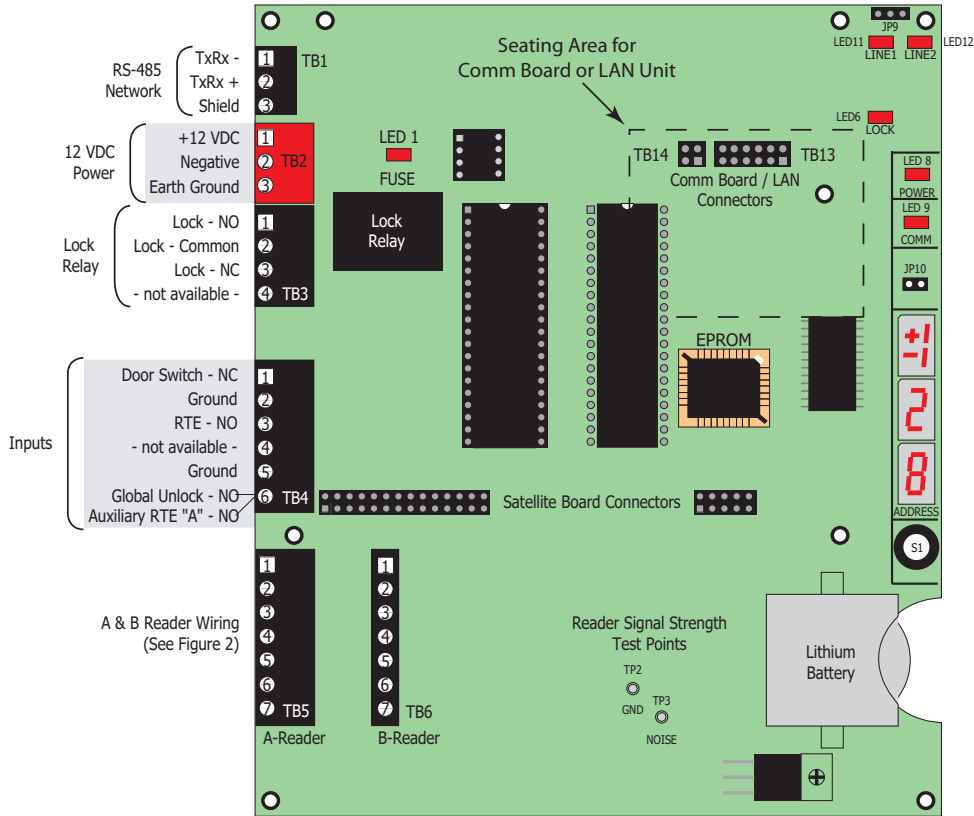
11. Note this COM port number assigned to the Comm Board for assignment in Doors.NET.

Comm Board

Installation Guide

2.0 Seating the Comm Board

Seat the Comm Board into TB13 and TB14 as shown in the drawing below.



3.0 Contact Keri Systems

Keri USA	Keri UK, Ireland, Europe
2305 Bering Drive San Jose, CA 95131	Unit 17 Park Farm Industrial Estate Ermine Street Buntingford Herts SG9 9AZ UK
Telephone: (800) 260-5265 (408) 435-8400	Telephone: + 44 (0) 1763 273 243
Fax: (408) 577-1792	Fax: + 44 (0) 1763 274 106
Web: www.kerisys.com	Web: www.kerisystems.co.uk
E-mail: sales@kerisys.com techsupport@kerisys.com	E-mail: sales@kerisystems.co.uk tech-support@kerisystems.co.uk

end of document